



# BRIKA

## BGR-4B

# GAS RANGE 4 BURNERS

ROBUST DESIGN  
HIGH QUALITY STAINLESS STEEL



Stainless steel tubing for burners and pilot

Stainless steel exterior including front, sides, kick plate, back guard & over shelf

Heavy duty 12" X 12" removable cast iron top grates

Oven Temperature range between 175° & 500°F

Oven cooking area: 26"<sub>w</sub> x 26"<sub>d</sub> x 15"<sub>h</sub>

Two (2) chrome oven rack per oven standard; 4 position oven rack guides.

Enamel interior oven for easy cleaning, with full width stainless steel crumb tray.

Fits bun pans either widthwise or lengthwise.

**Dimensions (wxdxh)** 24" x 31<sup>1/2</sup>" x 56"

**Cooking Area (wxd)** 24" x 24"

**Burners LPG/NG:** 1 x 30,000 BTU/H (OVEN)

LPG: 4 x 30,000 BTU/H (HOT PLATES)

NG: 4 x 33,000 BTU/H (HOT PLATES)

LPG TOTAL: 150K NG TOTAL: 162K

# BGR-4B

## DELIVERY

Box dimensions (wxdxh)

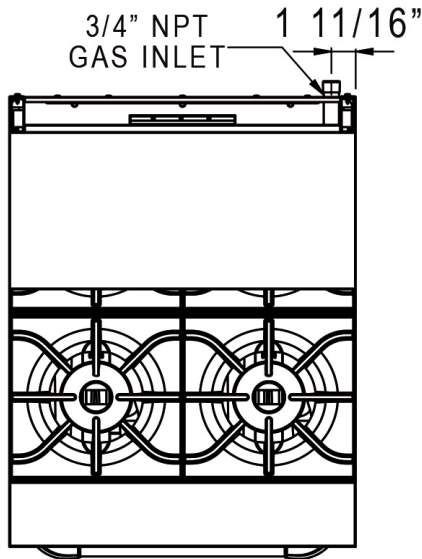
26" x 36<sup>4/5</sup>" x 38<sup>1/5</sup>"

Weight

net: 268 lbs

ship: 336 lbs

## TOP VIEW



## GAS POWERED

Natural Source Propane

5"WC Pressure 10"WC

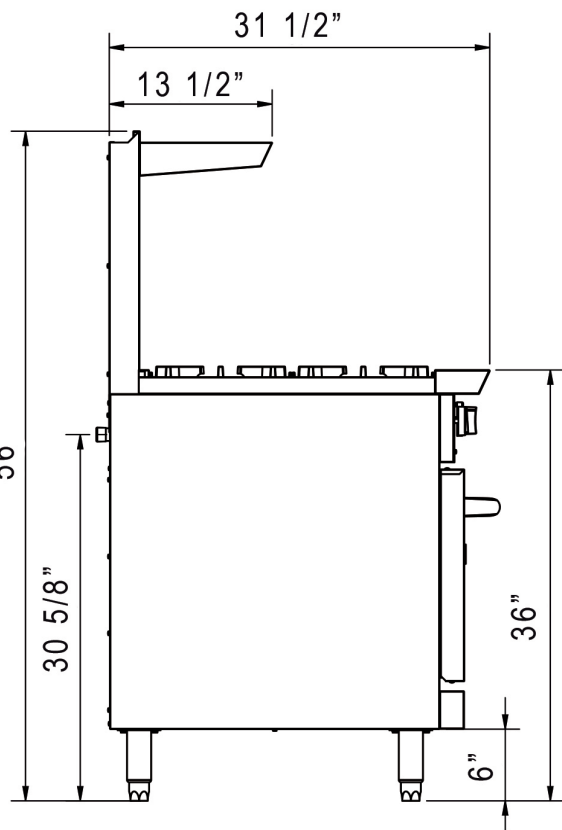
40# Nozzle (OVEN) 52#

41# Nozzle (HOT P.) 52#

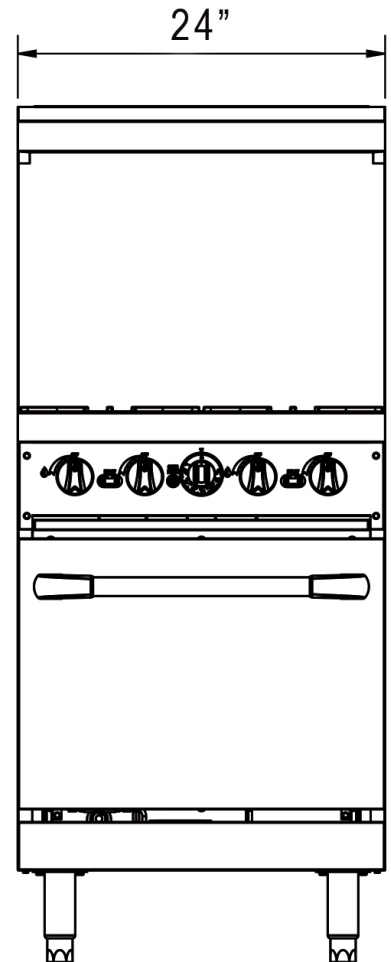
3/4" NPT Connection 3/4" NPT

if to be used above 2000 ft, specify altitude and gas type when ordering

## SIDE VIEW



## FRONT VIEW



### ASSEMBLY/SUPPORT



### MORE PRODUCTS



## SAFETY

Keep combustibles a minimum of 17" away from the equipment. Keep a clearance of 4" at the rear.

 We're on social media! 

1.800.567.3620 | WWW.BRIKA.COM