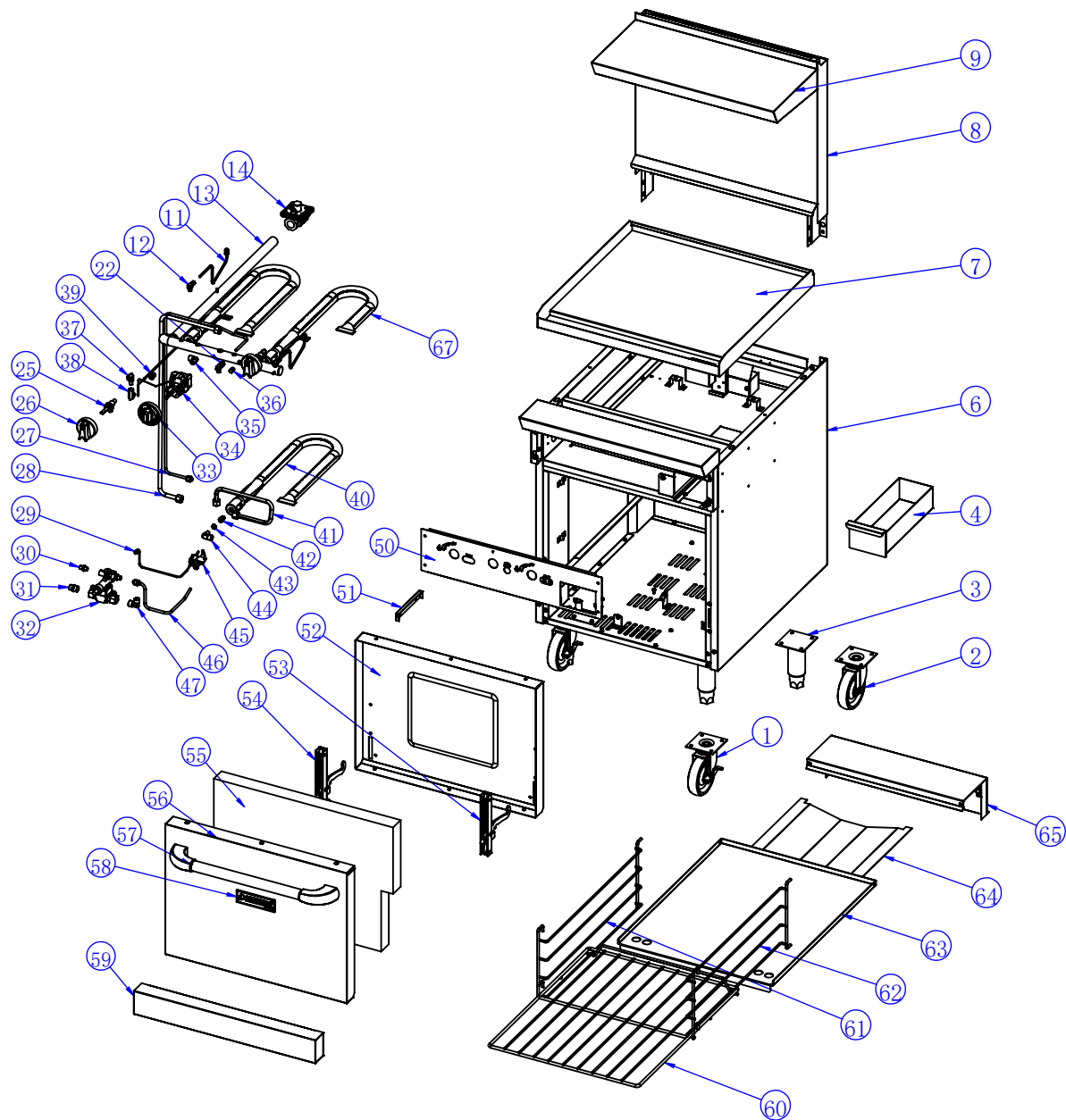
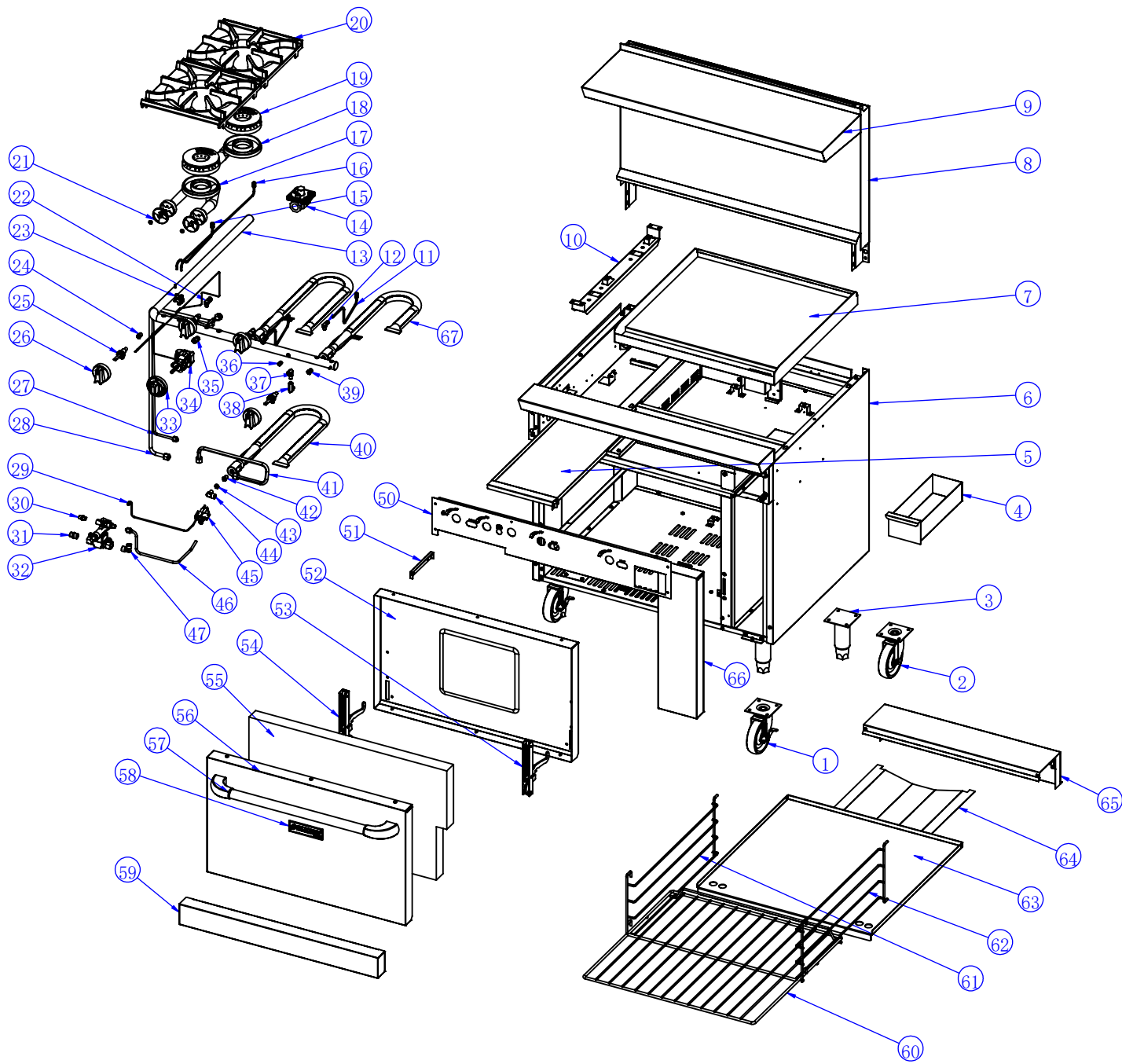


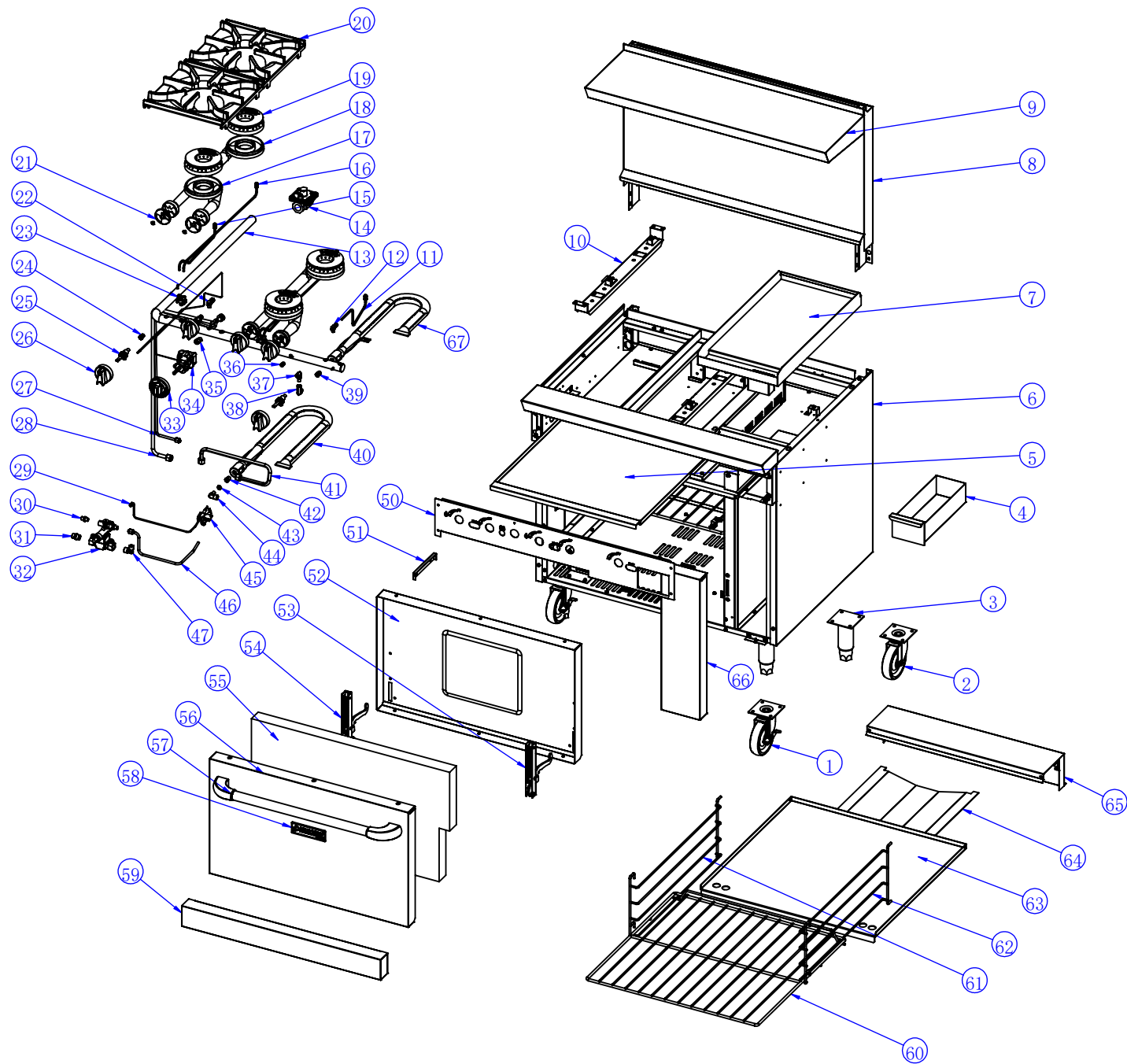
| | |
|--------------|-------------------------------------|
| DCR24-4B | <input checked="" type="checkbox"/> |
| DCR24-24GM | <input type="checkbox"/> |
| DCR36-2B24GM | <input type="checkbox"/> |
| DCR36-4B12GM | <input type="checkbox"/> |
| DCR36-6B | <input type="checkbox"/> |
| DCR60-4B36GM | <input type="checkbox"/> |
| DCR60-6B24GM | <input type="checkbox"/> |
| DCR60-10B | <input type="checkbox"/> |



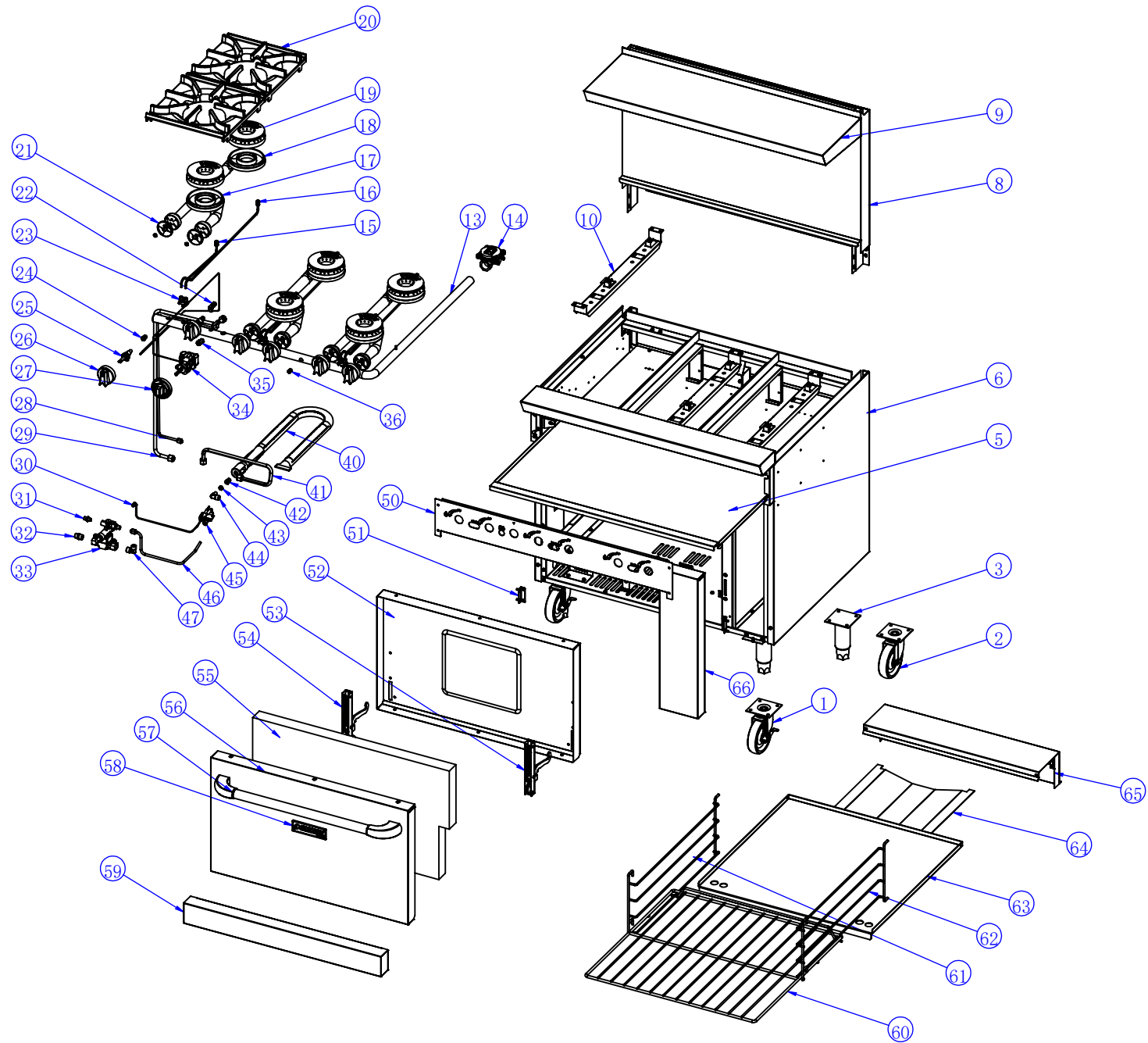
| | |
|--------------|-------------------------------------|
| DCR24-4B | <input type="checkbox"/> |
| DCR24-24GM | <input checked="" type="checkbox"/> |
| DCR36-2B24GM | <input type="checkbox"/> |
| DCR36-4B12GM | <input type="checkbox"/> |
| DCR36-6B | <input type="checkbox"/> |
| DCR60-4B36GM | <input type="checkbox"/> |
| DCR60-6B24GM | <input type="checkbox"/> |
| DCR60-10B | <input type="checkbox"/> |



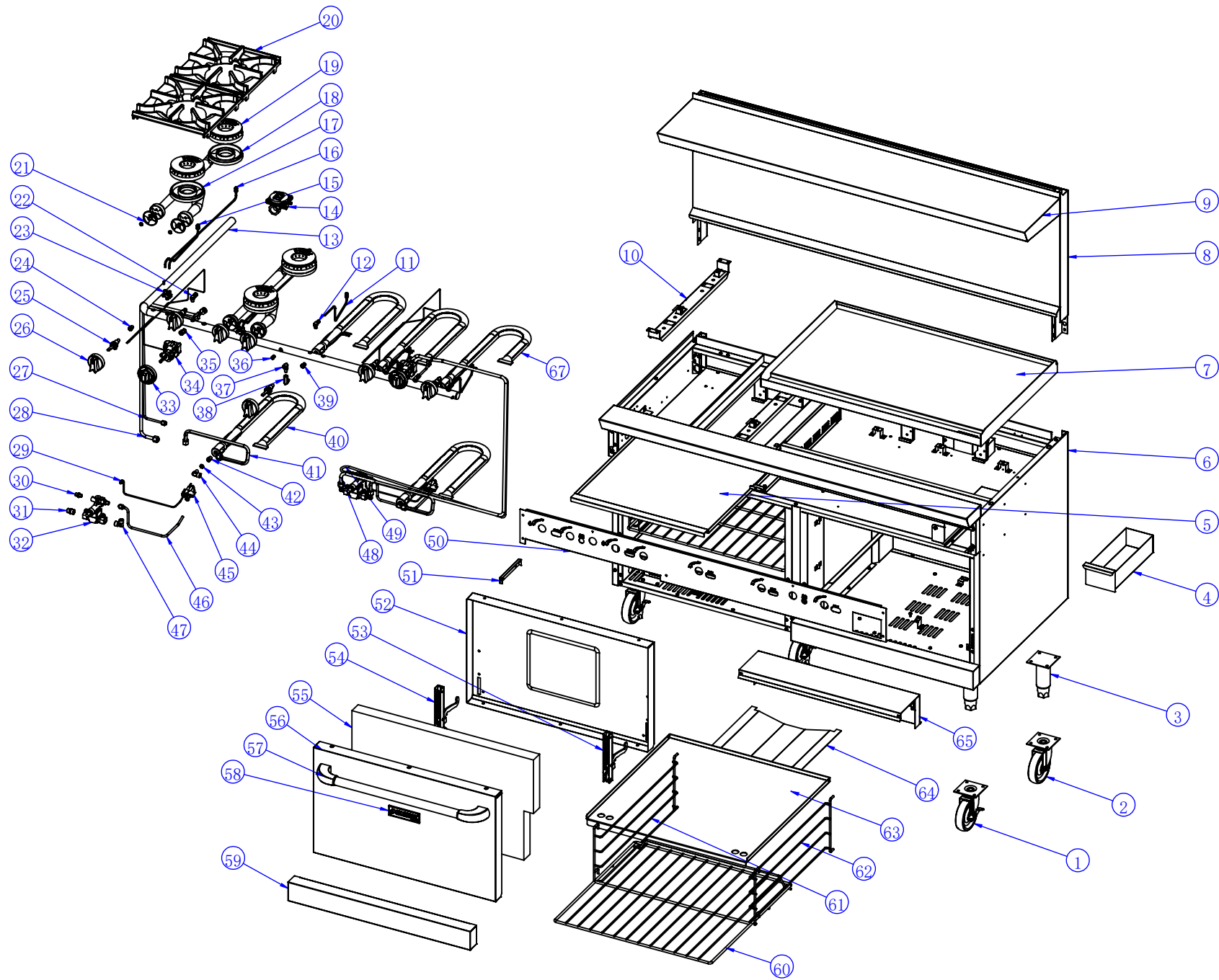
| | |
|--------------|-------------------------------------|
| DCR24-4B | <input type="checkbox"/> |
| DCR24-24GM | <input type="checkbox"/> |
| DCR36-2B24GM | <input checked="" type="checkbox"/> |
| DCR36-4B12GM | <input type="checkbox"/> |
| DCR36-6B | <input type="checkbox"/> |
| DCR60-4B36GM | <input type="checkbox"/> |
| DCR60-6B24GM | <input type="checkbox"/> |
| DCR60-10B | <input type="checkbox"/> |



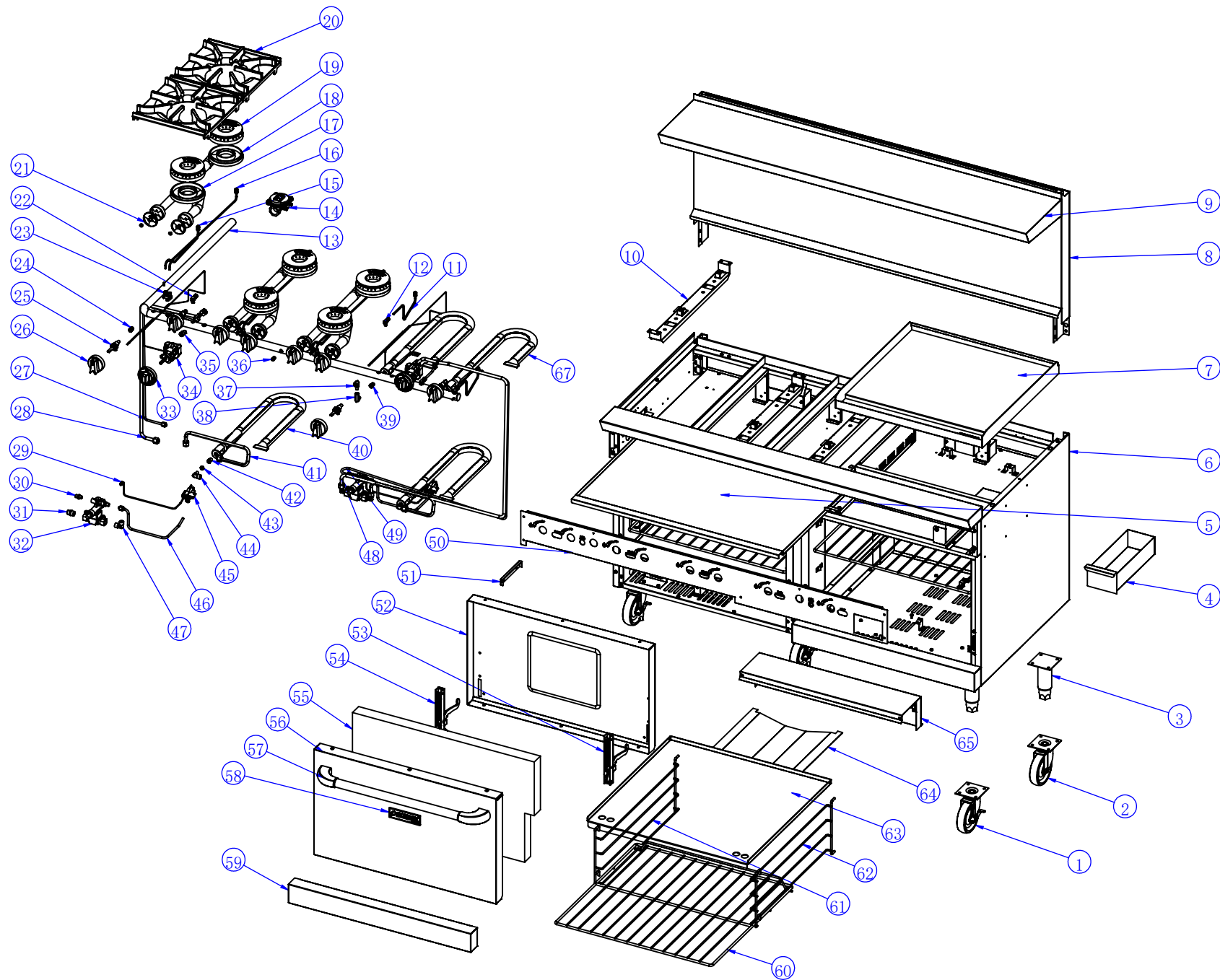
| | |
|--------------|-------------------------------------|
| DCR24-4B | <input type="checkbox"/> |
| DCR24-24GM | <input type="checkbox"/> |
| DCR36-2B24GM | <input type="checkbox"/> |
| DCR36-4B12GM | <input checked="" type="checkbox"/> |
| DCR36-6B | <input type="checkbox"/> |
| DCR60-4B36GM | <input type="checkbox"/> |
| DCR60-6B24GM | <input type="checkbox"/> |
| DCR60-10B | <input type="checkbox"/> |



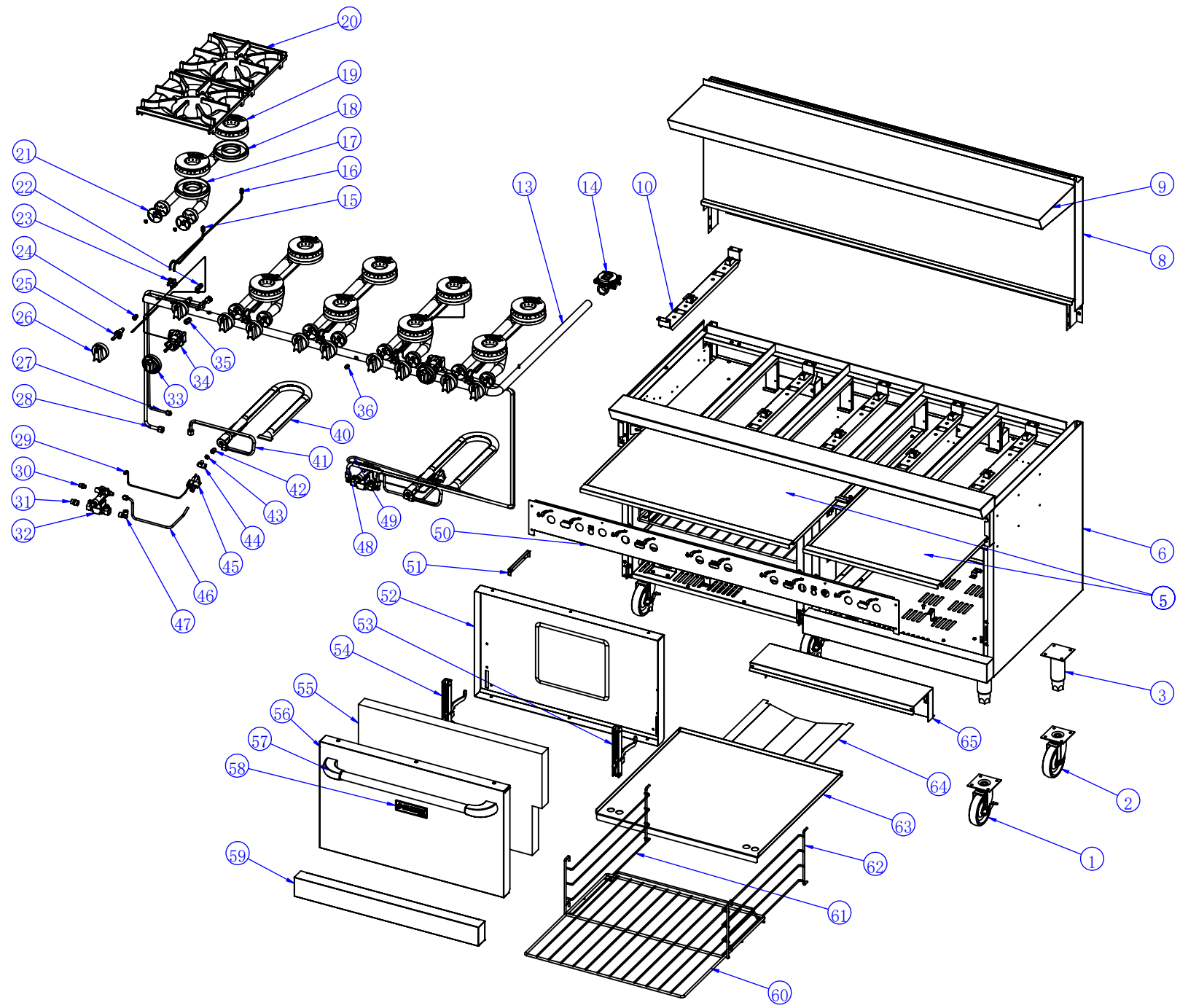
| | |
|--------------|-------------------------------------|
| DCR24-4B | <input type="checkbox"/> |
| DCR24-24GM | <input type="checkbox"/> |
| DCR36-2B24GM | <input type="checkbox"/> |
| DCR36-4B12GM | <input type="checkbox"/> |
| DCR36-6B | <input checked="" type="checkbox"/> |
| DCR60-4B36GM | <input type="checkbox"/> |
| DCR60-6B24GM | <input type="checkbox"/> |
| DCR60-10B | <input type="checkbox"/> |



| | |
|--------------|-------------------------------------|
| DCR24-4B | <input type="checkbox"/> |
| DCR24-24GM | <input type="checkbox"/> |
| DCR36-2B24GM | <input type="checkbox"/> |
| DCR36-4B12GM | <input type="checkbox"/> |
| DCR36-6B | <input type="checkbox"/> |
| DCR60-4B36GM | <input checked="" type="checkbox"/> |
| DCR60-6B24GM | <input type="checkbox"/> |
| DCR60-10B | <input type="checkbox"/> |



| | |
|--------------|-------------------------------------|
| DCR24-4B | <input type="checkbox"/> |
| DCR24-24GM | <input type="checkbox"/> |
| DCR36-2B24GM | <input type="checkbox"/> |
| DCR36-4B12GM | <input type="checkbox"/> |
| DCR36-6B | <input type="checkbox"/> |
| DCR60-4B36GM | <input type="checkbox"/> |
| DCR60-6B24GM | <input checked="" type="checkbox"/> |
| DCR60-10B | <input type="checkbox"/> |



| | |
|--------------|-------------------------------------|
| DCR24-4B | <input type="checkbox"/> |
| DCR24-24GM | <input type="checkbox"/> |
| DCR36-2B24GM | <input type="checkbox"/> |
| DCR36-4B12GM | <input type="checkbox"/> |
| DCR36-6B | <input type="checkbox"/> |
| DCR60-4B36GM | <input type="checkbox"/> |
| DCR60-6B24GM | <input type="checkbox"/> |
| DCR60-10B | <input checked="" type="checkbox"/> |

Heavy Duty Series Range Blast Chart

| NO. | Number | Description | Unit Price | 中文名 |
|-----|-------------|---|------------|-------------------|
| 1 | 18.001.0004 | Caster With Brake 6" - W / Swivel Plate | \$2.71 | 6"脚轮(带刹车) |
| 2 | 18.001.0003 | Caster 6" - W / Swivel Plate | \$2.14 | 6"脚轮(不带刹车) |
| 3 | 18.001.0001 | Adjustable Legs, 6" | \$2.57 | 6"重力脚 |
| 4 | 10.006.0002 | Grease Can | \$1.89 | 油盒 |
| 5 | 10.006.0003 | 12in Crumb Tray | \$2.64 | 12英寸接渣盆 |
| | 10.006.0004 | 24in Crumb Tray | \$5.54 | 24英寸接渣盆 |
| | 10.006.0005 | 36in Crumb Tray | \$8.41 | 36英寸接渣盆 |
| 6 | 10.006.0006 | Series-Side Panel Right | \$8.04 | 右侧板 |
| | 10.006.0007 | Series-Side Panel Left | \$8.04 | 左侧板 |
| 7 | 10.006.0008 | Griddle Plate Assembly 3/4" Thick 12" | \$28.57 | 扒板组件12英寸 |
| | 10.006.0009 | Griddle Plate Assembly 3/4" Thick 24" | \$54.57 | 扒板组件24英寸 |
| | 10.006.0010 | Griddle Plate Assembly 3/4" Thick 36" | \$70.14 | 扒板组件36英寸 |
| 8 | 10.006.0011 | Backguard Assembly 24" | \$13.06 | 后挡板总成24英寸 |
| | 10.006.0012 | Backguard Assembly 36" | \$17.80 | 后挡板总成36英寸 |
| | 10.006.0013 | Backguard Assembly 60" | \$20.39 | 后挡板总成60英寸 |
| 9 | 10.006.0014 | Shelf (S/S) 24" | \$5.13 | 后架24英寸 |
| | 10.006.0015 | Shelf (S/S) 36" | \$7.26 | 后架36英寸 |
| | 10.006.0016 | Shelf (S/S) 60" | \$11.51 | 后架60英寸 |
| 10 | 10.002.0011 | Burner Supports | \$16.85 | 炉头支架 |
| 11 | 17.016.0015 | Pilot Assembly | \$0.49 | 母火气管组件 |
| 12 | 15.001.0012 | Single Pilot Adjustment Valve, AP7-1 | \$1.27 | AP7-1母火阀 |
| 13 | 17.013.0025 | Manifold Assembly for DCR24-4B | \$5.89 | DCR24-4B进气管组件 |
| | 17.013.0028 | Manifold Assembly for DCR24-24GM | \$5.29 | DCR24-24GM进气管组件 |
| | 17.013.0029 | Manifold Assembly for DCR36-2B24GM | \$6.49 | DCR36-2B24GM进气管组件 |
| | 17.013.0030 | Manifold Assembly for DCR36-4B12GM | \$6.73 | DCR36-4B12GM进气管组件 |
| | 17.013.0026 | Manifold Assembly for DCR36-6B | \$7.22 | DCR36-6B进气管组件 |
| | 17.013.0031 | Manifold Assembly for DCR60-4B36GM | \$9.76 | DCR60-4B36GM进气管组件 |
| | 17.013.0032 | Manifold Assembly for DCR60-6B24GM | \$10.00 | DCR60-6B24GM进气管组件 |
| | 17.013.0027 | Manifold Assembly for DCR60-10B | \$10.76 | DCR60-10B进气管组件 |
| 14 | 15.003.0002 | 3/4" Regulator NG/LPG, RV48CL-66-0076 | \$5.95 | RV48CL-66-0076稳压阀 |
| | 15.003.0005 | 3/4" Regulator NG/LPG, 7015-5010 | \$5.29 | 7015-5010稳压阀 |
| | 15.003.0003 | 3/4" Regulator NG/LPG, R500S-66-006 | \$45.00 | R500S-66-006稳压阀 |
| | 15.003.0006 | 3/4" Regulator NG/LPG, 8015-(L, H) | \$9.71 | 8015-(L, H) 稳压阀 |
| 15 | 17.016.0001 | Front Pilot Assembly | \$0.49 | 前母火气管组件 |
| 16 | 17.016.0002 | Rear Pilot Assembly | \$0.76 | 后母火气管组件 |
| 17 | 16.001.0004 | Short gas injector | \$7.43 | 圆形短炉管 |
| 18 | 16.001.0003 | Long gas injector | \$5.93 | 圆形长炉管 |
| 19 | 16.001.0002 | Burner | \$0.00 | 火盖 |
| 20 | 16.004.0002 | Burner Grates 12" | \$6.94 | 炉架 |
| 21 | 16.001.0012 | Air Shutter | \$0.14 | 风门 |
| 22 | 15.001.0019 | Single Pilot Adjustment Valve, AP7-2 | \$1.27 | AP7-2母火阀 |
| 23 | 15.001.0011 | Double Shut Off Valve , AP6-1 | \$2.00 | 母火阀 |

| | | | | |
|----|-------------|-------------------------------------|---------|------------------|
| 24 | 17.014.0004 | Orifice NAT, 40# | \$0.33 | 喷嘴(天然气) |
| | 17.014.0006 | Orifice L.P., 52# | \$0.33 | 喷嘴(液化气) |
| 25 | 15.001.0009 | Gas Valve On-Off, A18-318 | \$2.40 | 开关阀 |
| 26 | 18.014.0001 | Knobs | \$0.90 | 旋钮 |
| 27 | 17.016.0016 | Tubing 1/4" | \$0.12 | 1/4"铝管 |
| 28 | 17.013.0033 | Tubing 3/8" | \$0.21 | 3/8"铝管 |
| 29 | 15.001.0017 | Oven Pilot Thermocouple | \$3.50 | 热电偶 |
| 30 | 17.015.0014 | CC Straight Fitting 1/8" NPT x 1/4" | \$0.53 | 直通接头 |
| 31 | 17.015.0018 | CC Straight Fitting 3/8" NPT x 3/8" | \$0.70 | 直通接头 |
| 32 | 15.001.0013 | Safety Valve | \$23.50 | ATS-11安全阀 |
| 33 | 15.001.0018 | Thermostat Knob | \$1.70 | ABJ恒温器旋钮 |
| 34 | 15.001.0014 | Oven Thermostat | \$32.00 | ABJ恒温器 |
| 35 | 17.015.0011 | CC 90 Elbow 1/4" NPT x 3/8" | \$0.94 | 弯头 |
| 36 | 17.014.0015 | Plugs 1/8NPT | \$0.27 | 堵头 |
| 37 | 17.015.0021 | CC 90 Elbow 3/8-27 | \$0.81 | 弯头 |
| 38 | 17.015.0022 | CC 90 Elbow 3/8-27 | \$0.81 | 弯头 |
| 39 | 17.014.0019 | Griddle Orifice - NAT. 43# | \$0.33 | 喷嘴(天然气) |
| | 17.014.0007 | Griddle Orifice - L.P. 53# | \$0.33 | 喷嘴(液化气) |
| 40 | 16.002.0002 | U-shaped Burners | \$4.14 | U型炉头 |
| 41 | 17.013.0034 | Tubing 3/8" | \$0.10 | 3/8"铝管 |
| 42 | 17.014.0004 | Oven Orifice - NAT. 40# | \$0.33 | 喷嘴(天然气) |
| | 17.014.0020 | Oven Orifice - NAT. 38# | \$0.33 | 喷嘴(天然气) |
| | 17.014.0006 | Oven Orifice - L.P. 52# | \$0.33 | 喷嘴(液化气) |
| | 17.014.0008 | Oven Orifice - L.P. 49# | \$0.33 | 喷嘴(液化气) |
| 43 | 17.015.0017 | nut, 3/8-27 | \$0.10 | 螺母 |
| 44 | 17.015.0013 | 3/8 x 3/8-27 Orifice Mixer Elbow | \$1.06 | 喷嘴弯头 |
| 45 | 15.001.0015 | Oven Pilot - NAT. | \$2.00 | B10H2母火座(天然气) |
| | 15.001.0016 | Oven Pilot - L.P. | \$2.00 | B10H2母火座(液化气) |
| 46 | 17.016.0017 | Tubing 1/4" | \$0.04 | 1/4"铝管 |
| 47 | 17.015.0012 | CC 90 Elbow 3/8" NPT x 3/8" | \$1.01 | 弯头 |
| 48 | 17.013.0035 | Tubing 3/8" | \$0.35 | 3/8"铝管 |
| 49 | 17.016.0018 | Tubing 1/4" | \$0.17 | 1/4"铝管 |
| 50 | 10.006.0017 | Face Plate for DCR24-4B | \$1.58 | DCR24-4B控制面板 |
| | 10.006.0018 | Face Plate for DCR24-24GM | \$1.58 | DCR24-24GM控制面板 |
| | 10.006.0019 | Face Plate for DCR36-2B24GM | \$2.38 | DCR36-2B24GM控制面板 |
| | 10.006.0020 | Face Plate for DCR36-4B12GM | \$2.38 | DCR36-4B12GM控制面板 |
| | 10.006.0021 | Face Plate for DCR36-6B | \$2.38 | DCR36-6B控制面板 |
| | 10.006.0022 | Face Plate for DCR60-4B36GM | \$3.98 | DCR60-4B36GM控制面板 |
| | 10.006.0023 | Face Plate for DCR60-6B24GM | \$3.98 | DCR60-6B24GM控制面板 |
| | 10.006.0024 | Face Plate for DCR60-10B | \$3.98 | DCR60-10B控制面板 |
| 51 | 10.006.0025 | Thermostat Bulb Clip | \$0.19 | 感温棒固定板 |
| 52 | 10.006.0026 | Door Liner for DCR24 | \$4.80 | DCR24门内板 |
| | 10.006.0027 | Door Liner for DCR36 | \$5.82 | DCR36门内板 |
| 53 | 18.016.0002 | Right Door Closing Mechanism | \$2.14 | 右门铰 |
| 54 | 18.016.0003 | Left Door Closing Mechanism | \$2.14 | 左门铰 |

| | | | | |
|----|-------------|--------------------------------------|---------|---------------|
| 55 | 03.005.0001 | Door Insulation for DCR24 | \$2.64 | DCR24隔热棉 |
| | | Door Insulation for DCR36 | \$3.32 | DCR36隔热棉 |
| 56 | 10.006.0028 | Door Cover for DCR24 | \$5.41 | DCR24门外板 |
| | 10.006.0029 | Door Cover for DCR36 | \$6.55 | DCR36门外板 |
| 57 | 18.017.0001 | Oven Door Handle - 500 | \$4.07 | 500把手 |
| | 18.017.0002 | Oven Door Handle - 650 | \$4.50 | 650把手 |
| 58 | 18.002.0001 | Heavy Duty Logo Plate Dukers | \$0.86 | DUK标牌 |
| 59 | 10.006.0030 | Kick Plate for DCR24 | \$1.73 | DCR24底前梁 |
| | 10.006.0031 | Kick Plate for DCR36 | \$2.05 | DCR36底前梁 |
| 60 | 18.018.0003 | Rack for DCR24 | \$4.29 | DCR24烤箱层架 |
| | 18.018.0004 | Rack for DCR36 | \$5.00 | DCR36烤箱层架 |
| 61 | 18.018.0001 | Left Rack Guide | \$3.57 | 左层架导轨 |
| 62 | 18.018.0002 | Right Rack Guide | \$3.57 | 右层架导轨 |
| 63 | 10.006.0032 | Oven Bottom for DCR24 | \$8.27 | DCR24烤箱底板 |
| | 10.006.0033 | Oven Bottom for DCR36 | \$10.49 | DCR36烤箱底板 |
| 64 | 10.006.0034 | Flame Spreader | \$4.15 | 炉头盖板 |
| 65 | 10.006.0035 | Oven Front Baffle Assembly for DCR24 | \$4.24 | DCR24烤箱前隔热板组件 |
| | 10.006.0036 | Oven Front Baffle Assembly for DCR36 | \$5.32 | DCR36烤箱前隔热板组件 |
| 66 | 10.006.0037 | Right panel Assembly | \$2.77 | 右前板组件 |
| 67 | 16.002.0003 | J-shaped Burners | \$3.86 | J型炉头 |