

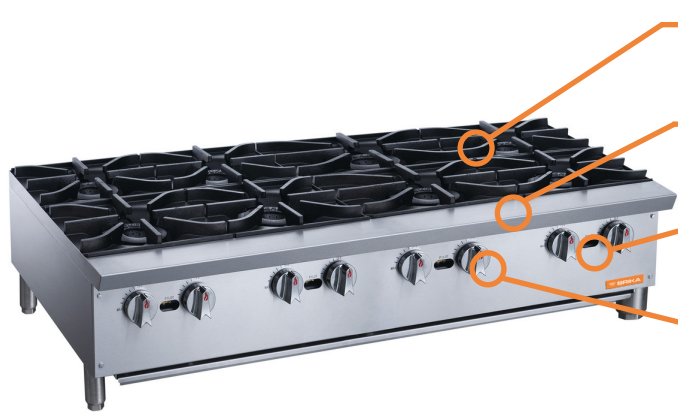


BRIKA

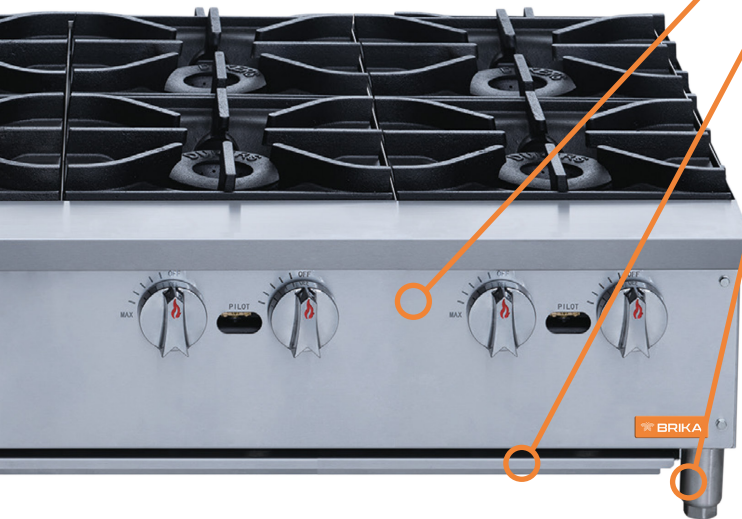
BHP-488

HOT PLATE 8 BURNERS

ROBUST DESIGN
HIGH QUALITY STAINLESS STEEL



- Heavy-duty lift-off cast iron burners
- "Cool-to-the-touch" front stainless steel edge
- SS standby pilot for instant ignition
- Manual controls for each burner



- Stainless steel exterior and interior
- Full length seamless drip pan, easy to remove & clean
- Adjustable, stainless steel legs, non-skid feet



Dimensions (wxdxh) 48" x 28^{3/4}" x 13^{3/8}"

Cooking Area (wxd) 48" x 24"

Burners 8 x 28,000 BTU/H (total 224K)

BHP-488

DELIVERY

Box dimensions (w×d×h)

50^{1/4"} x 32^{5/8"} x 17^{3/4"}

Weight

net: 198 lbs

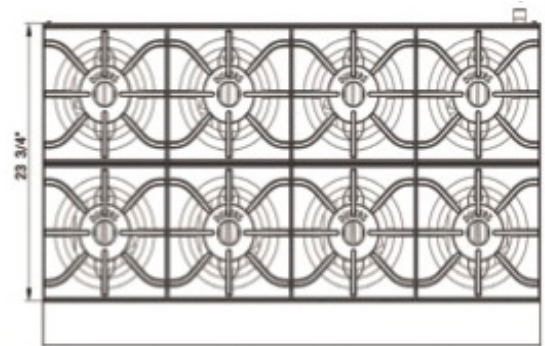
ship: 265 lbs

GAS POWERED

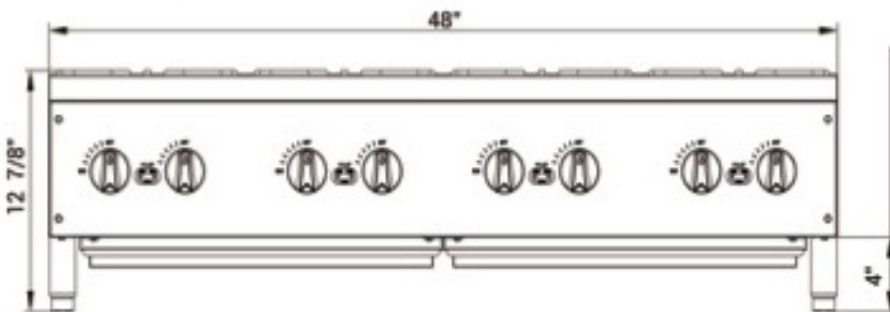
Natural	Source	Propane
4"WC	Pressure	10"WC
40#	Nozzle	52#
3/4" NPT	Connection	3/4" NPT

if to be used above 2000 ft, specify altitude and gas type when ordering

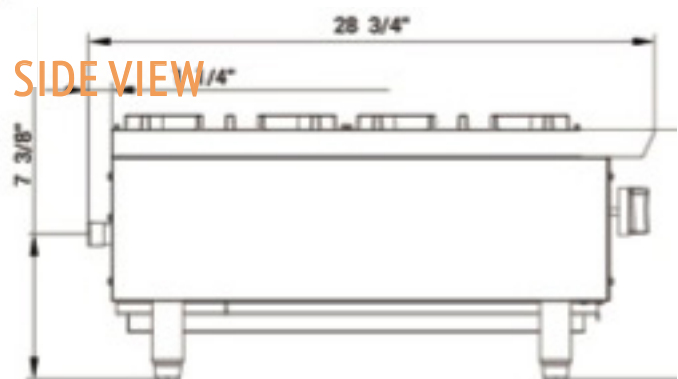
TOP VIEW



FRONT VIEW



SIDE VIEW



ASSEMBLY/SUPPORT



MORE PRODUCTS



SAFETY

Keep combustibles a minimum of 17" away from the equipment. Keep a clearance of 4" at the rear.

 We're on social media! 

1.800.567.3620 | WWW.BRIKA.COM