

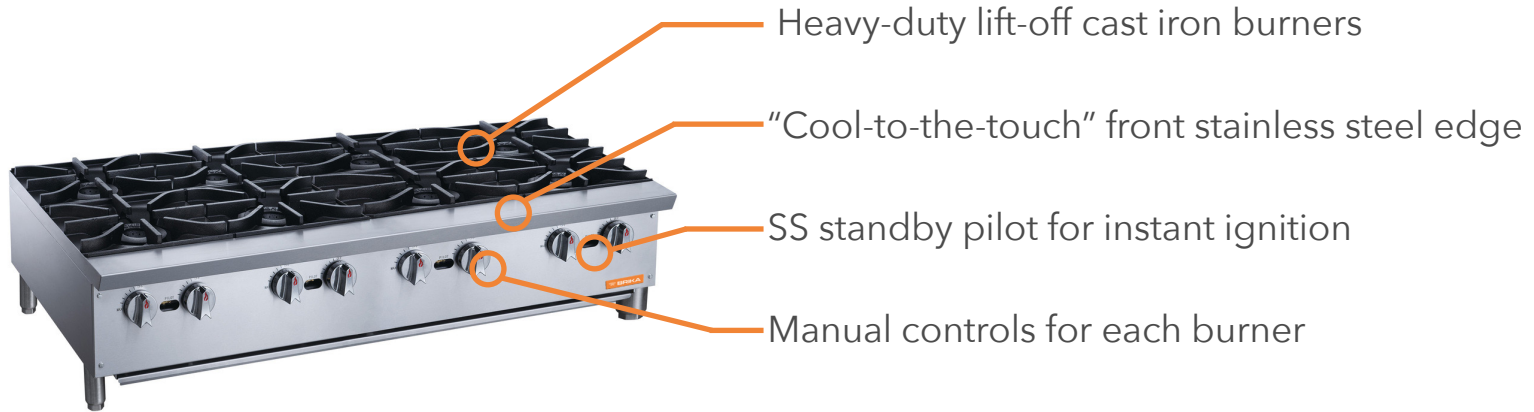


# BRIKA

## BHP-488

# HOT PLATE 8 BURNERS

ROBUST DESIGN  
HIGH QUALITY STAINLESS STEEL

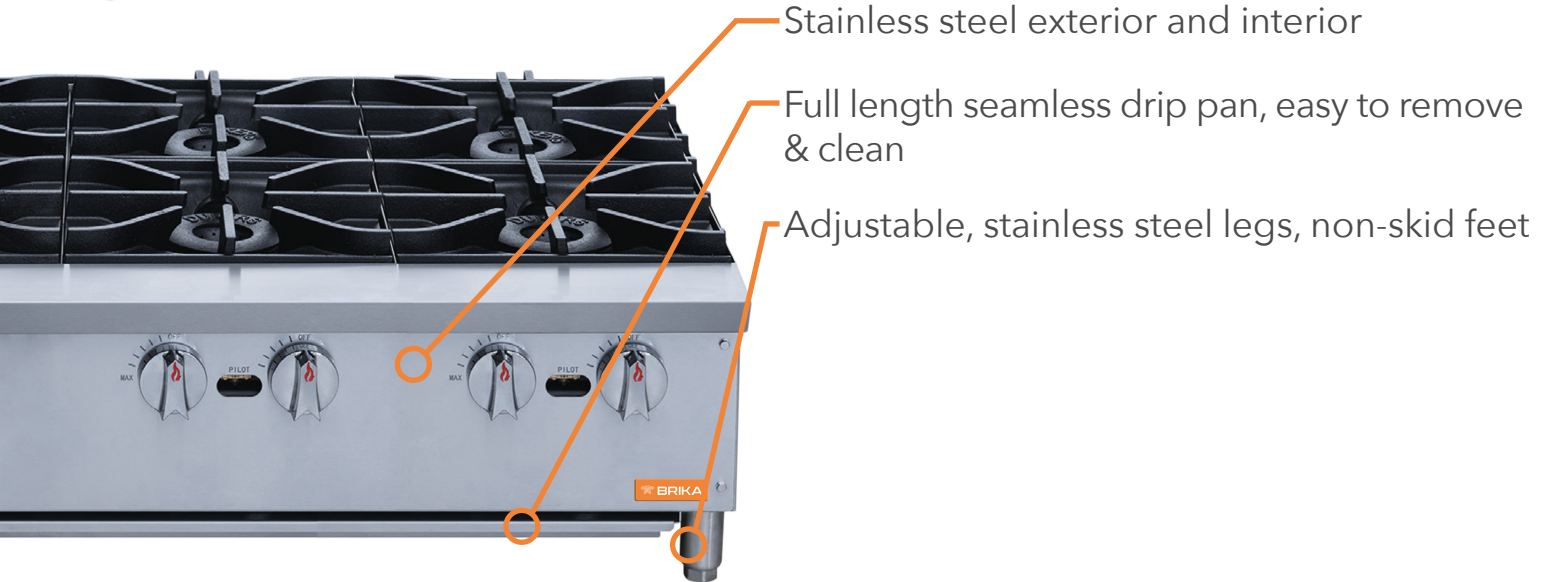


Heavy-duty lift-off cast iron burners

"Cool-to-the-touch" front stainless steel edge

SS standby pilot for instant ignition

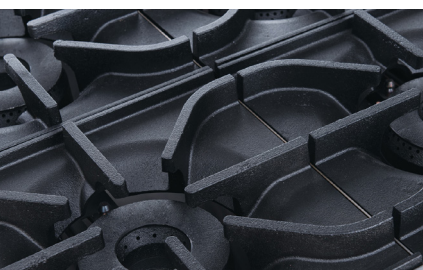
Manual controls for each burner



Stainless steel exterior and interior

Full length seamless drip pan, easy to remove & clean

Adjustable, stainless steel legs, non-skid feet



**Dimensions (wxdxh)** 48" x 28<sup>3/4</sup>" x 13<sup>3/8</sup>"

**Cooking Area (wxd)** 48" x 24"

**Burners** 8 x 28,000 BTU/H (total 224K)

## BHP-488

### DELIVERY

Box dimensions (wxdxh)

50<sup>1/4"</sup> x 32<sup>5/8"</sup> x 17<sup>3/4"</sup>

Weight

net: 198 lbs

ship: 265 lbs

### GAS POWERED

Natural **Source** Propane

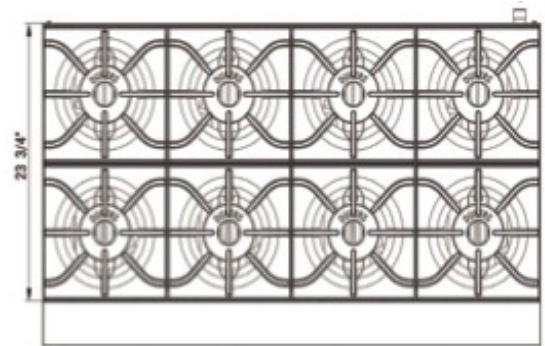
4"WC **Pressure** 10"WC

40# **Nozzle** 52#

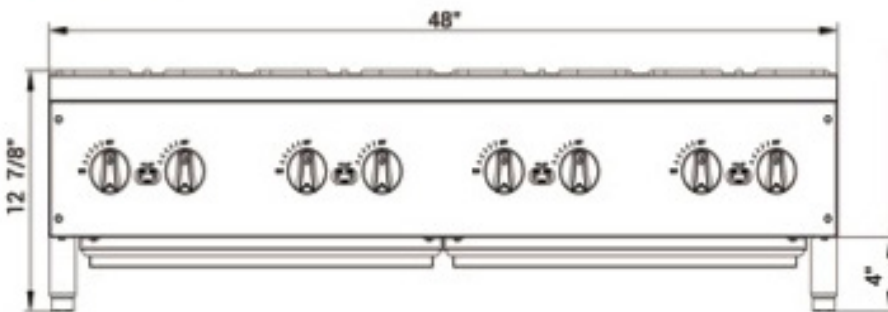
3/4" NPT **Connection** 3/4" NPT

if to be used above 2000 ft, specify altitude and gas type when ordering

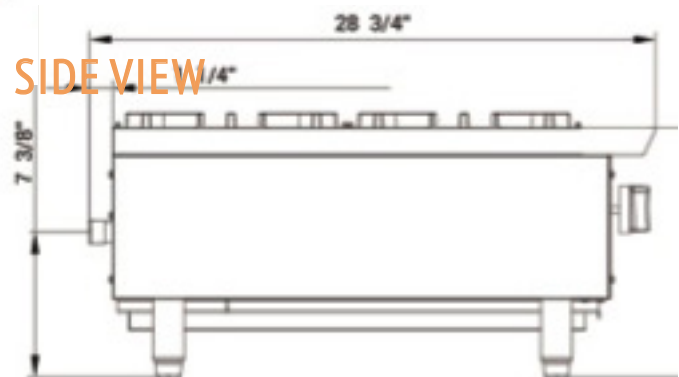
### TOP VIEW



### FRONT VIEW



### SIDE VIEW



ASSEMBLY/SUPPORT



MORE PRODUCTS



### SAFETY

Keep combustibles a minimum of 17" away from the equipment. Keep a clearance of 4" at the rear.

 We're on social media! 

1.800.567.3620 | WWW.BRIKA.COM