

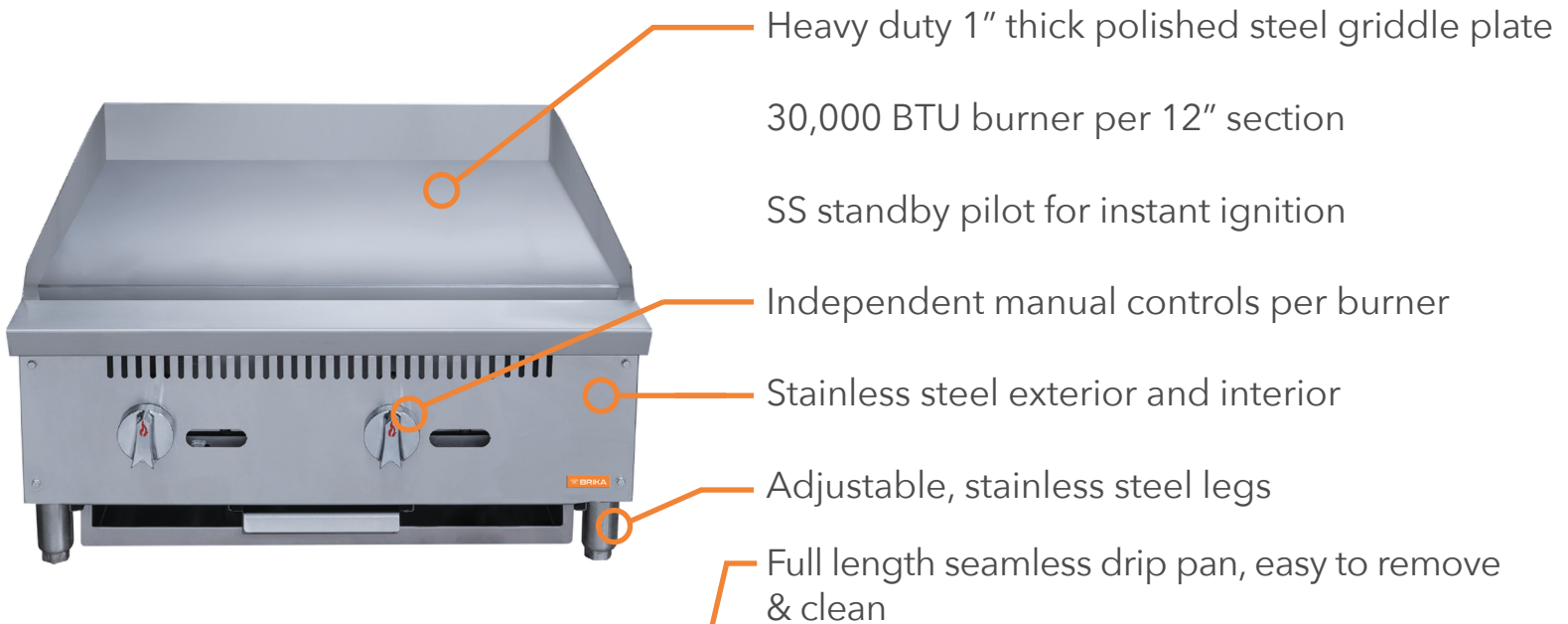


BRIKA

BMG-24

ROBUST DESIGN
HIGH QUALITY STAINLESS STEEL

MANUAL GRIDDLE 24 INCHES



Dimensions (wxdxh) 24" x 33^{1/2}" x 15^{3/8}"

Cooking Area (wxd) 24" x 24"

Burners 2 x 30,000 BTU/H (total 60K)

BMG-24

DELIVERY

Box dimensions (w×d×h)

26^{1/8"} × 36^{1/4"} × 20^{1/2"}

Weight

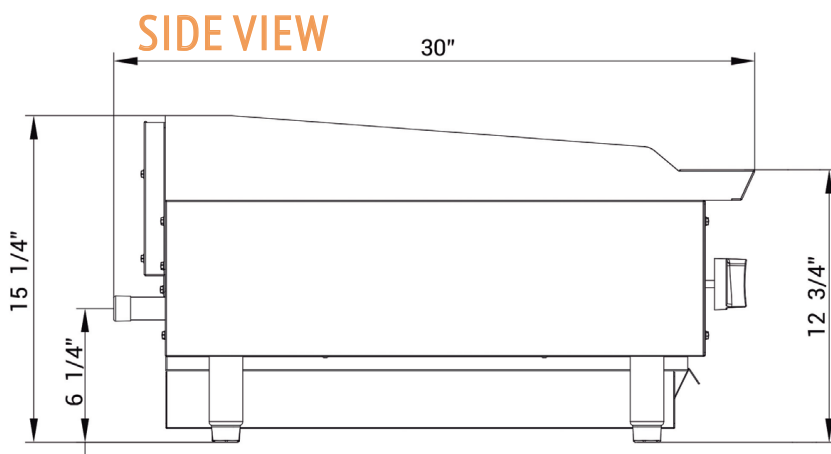
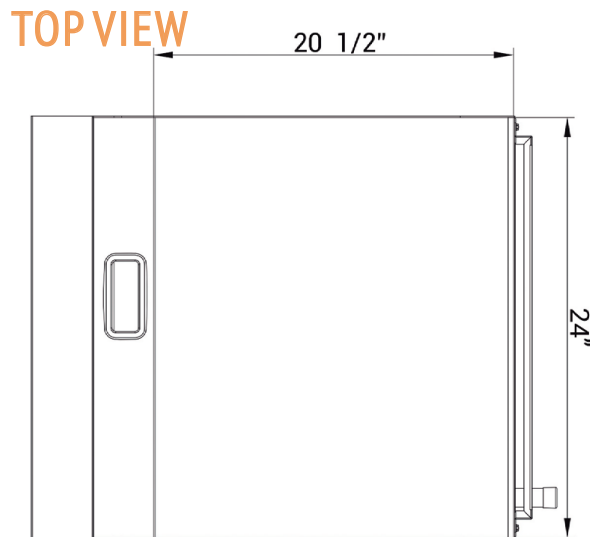
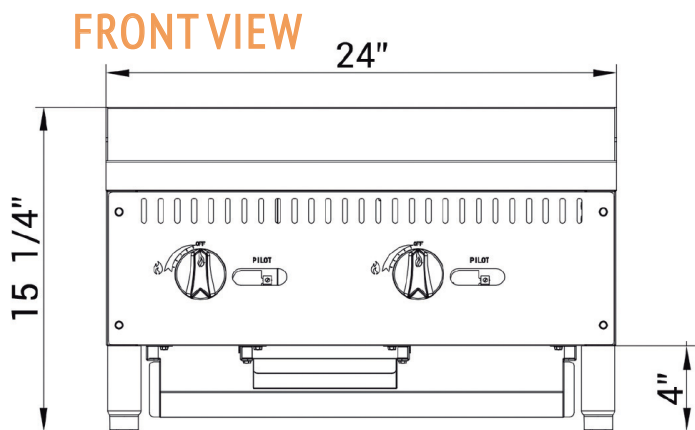
net: 132 lbs

ship: 154 lbs

GAS POWERED

Natural	Source	Propane
4"WC	Pressure	10"WC
34#	Nozzle	49#
3/4" NPT	Connection	3/4" NPT

if to be used above 2000 ft, specify altitude and gas type when ordering



ASSEMBLY/SUPPORT



MORE PRODUCTS



SAFETY

Keep combustibles a minimum of 17" away from the equipment. Keep a clearance of 4" at the rear.

 We're on social media! 

1.800.567.3620 | WWW.BRIKA.COM