



BRIKA

BMG-36

ROBUST DESIGN
HIGH QUALITY STAINLESS STEEL

MANUAL GRIDDLE 36 INCHES



Heavy duty 3/4" thick polished steel griddle plate

30,000 BTU burner per 12" section

SS standby pilot for instant ignition

Independent manual controls per burner

Adjustable, stainless steel legs, non-skid feet



Stainless steel exterior and interior

Full length seamless drip pan, easy to remove & clean



Dimensions (wxdxh) 36" x 30" x 15^{1/4}"

Cooking Area (wxd) 36" x 20^{1/2}"

Burners 3 x 30,000 BTU/H (total 90K)

BMG-36

DELIVERY

Box dimensions (w×d×h)

38^{1/4}" x 32^{5/8}" x 20^{1/2}"

Weight

net: 245 lbs

ship: 276 lbs

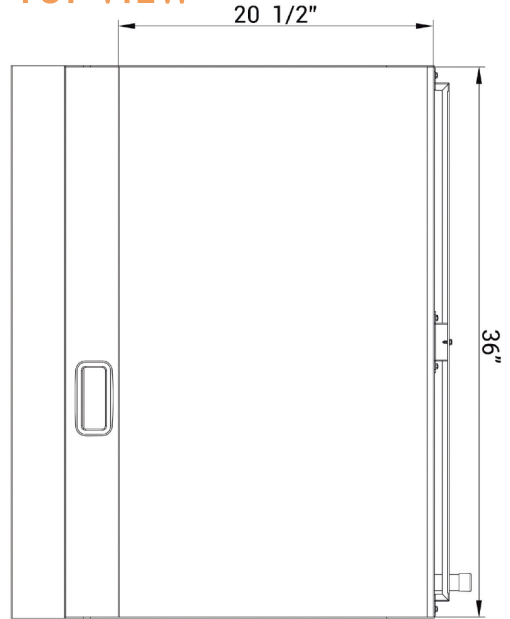
GAS POWERED

Natural	Source	Propane
4"WC	Pressure	10"WC
34#	Nozzle	49#

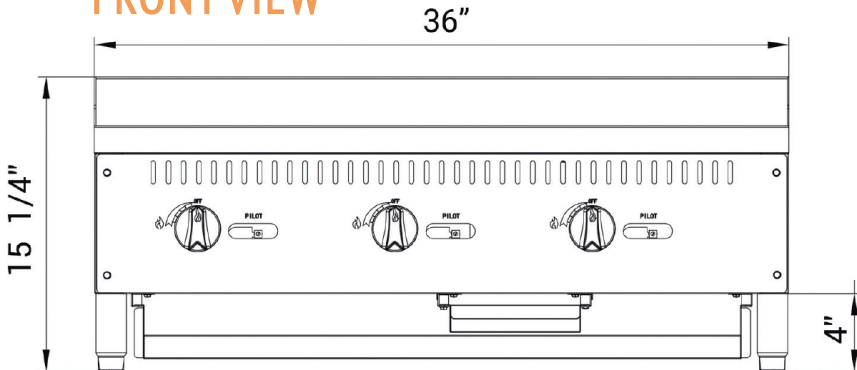
3/4" NPT **Connection** 3/4" NPT

if to be used above 2000 ft, specify altitude and gas type when ordering

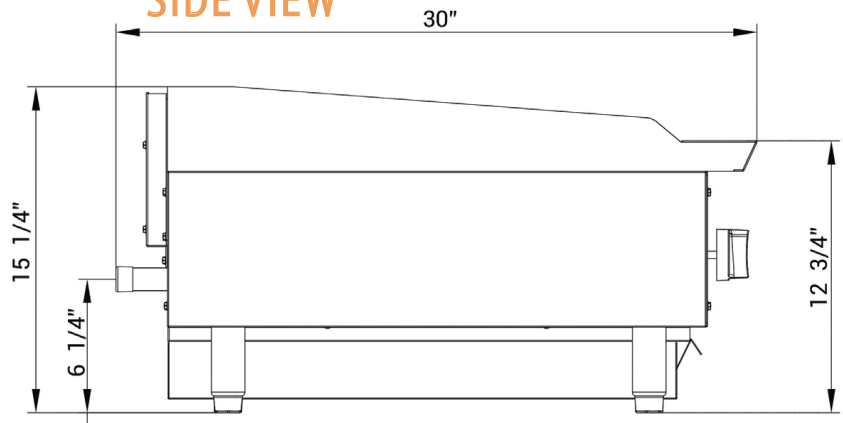
TOP VIEW



FRONT VIEW



SIDE VIEW



ASSEMBLY/SUPPORT



MORE PRODUCTS



SAFETY

Keep combustibles a minimum of 17" away from the equipment. Keep a clearance of 4" at the rear.

 We're on social media! 