



# BRIKA

## BGR-4B-G12

# GAS RANGE 4 BURNERS + 12" GRIDDLE

ROBUST DESIGN  
HIGH QUALITY STAINLESS STEEL



Stainless steel tubing for burners and pilot

Stainless steel exterior including front, sides, kick plate, back guard & over shelf

Heavy duty 12" X 12" removable cast iron top grates

Oven Temperature range between 175° & 500°F

Oven cooking area: 26"<sub>[w]</sub> x 26"<sub>[d]</sub> x 15"<sub>[h]</sub>

Two (2) chrome oven rack per oven standard; 4 position oven rack guides.

Enamel interior oven for easy cleaning, with full width stainless steel crumb tray.

Fits bun pans either widthwise or lengthwise.

Optional caster wheels

**Dimensions (wxdxh)** 36" x 31<sup>1/2</sup>" x 56"

**Cooking Area (wxd)** 24"x24"<sub>(HOT PLATES)</sub> 12"x20"<sub>(GRIDDLE)</sub>

**Burners** LPG/NG: 1 x 35,000 BTU/H <sub>(OVEN)</sub>

LPG/NG: 1 x 28,000 BTU/H <sub>(GRIDDLE)</sub>

LPG: 4 x 30,000 BTU/H <sub>(HOT PLATES)</sub>

NG: 4 x 33,000 BTU/H <sub>(HOT PLATES)</sub>

LPG TOTAL: 183K NG TOTAL: 195K

# BGR-4B-G12

## DELIVERY

Box dimensions (w×d×h)

38" x 36<sup>4/5</sup>" x 38<sup>1/5</sup>"

Weight

net: 376 lbs

ship: 462 lbs

## GAS POWERED

Natural **Source** Propane

5"WC **Pressure** 10"WC

38# **Nozzle** (OVEN) 49#

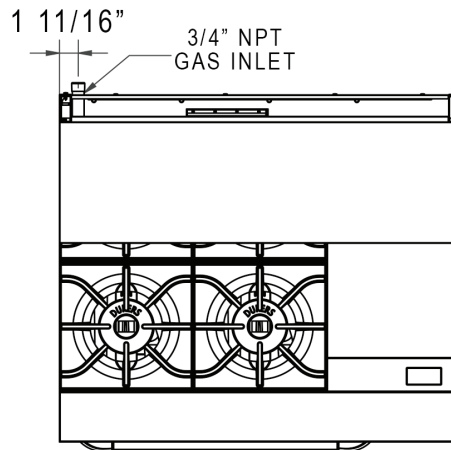
41# **Nozzle** (HOT P.) 52#

43# **Nozzle** (GRIDDLE) 53#

3/4" NPT **Connection** 3/4" NPT

if to be used above 2000 ft, specify altitude and gas type when ordering

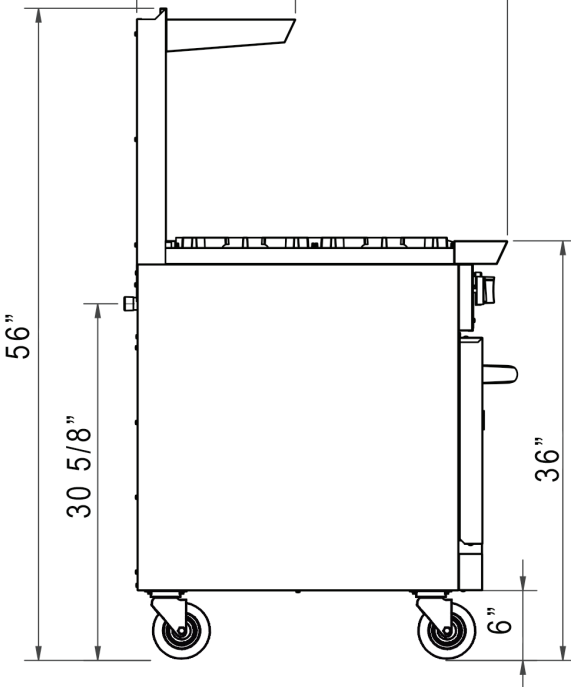
### TOP VIEW



### SIDE VIEW

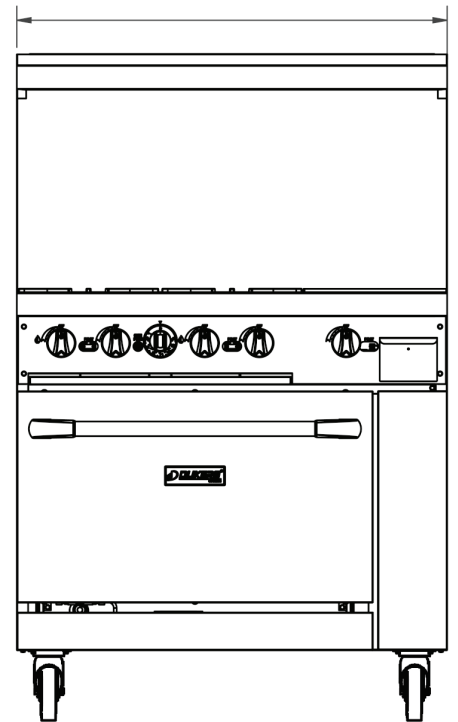
31 1/2"

13 1/2"



### FRONT VIEW

36"



#### ASSEMBLY/SUPPORT



#### MORE PRODUCTS



## SAFETY

Keep combustibles a minimum of 17" away from the equipment. Keep a clearance of 4" at the rear.

 We're on social media! 