



# BRIKA

## BGR-G24

# GAS RANGE 24" GRIDDLE

ROBUST DESIGN  
HIGH QUALITY STAINLESS STEEL



Stainless steel tubing for burners and pilot

Stainless steel exterior including front, sides, kick plate, back guard & over shelf

Heavy duty polished steel griddle plate

Oven Temperature range between 175° & 500°F

Oven cooking area: 26<sup>1/2</sup><sub>w</sub> x 26<sup>1/2</sup><sub>b</sub> x 15<sup>1/4</sup><sub>h</sub>

Two (2) chrome oven rack per oven standard; 4 position oven rack guides.

Enamel interior oven for easy cleaning, with full width stainless steel crumb tray.

Fits bun pans either widthwise or lengthwise.

Optional caster wheels

**Dimensions (wxdxh)** 24" x 31<sup>1/2</sup>" x 56"

**Cooking Area (wxd)** 24" x 20"

**Burners** 1 x 30,000 BTU/H (OVEN)

2 x 28,000 BTU/H (GRIDDLE)

**BTU TOTAL: 86K**

# BGR-G24

## DELIVERY

Box dimensions (w×d×h)

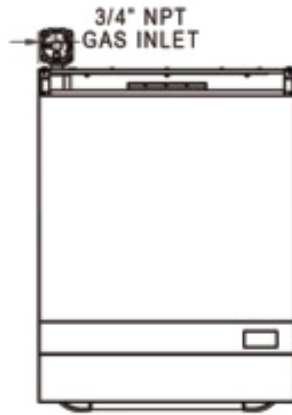
26" × 36<sup>4/5</sup>" × 38<sup>1/5</sup>"

Weight

net: 305 lbs

ship: 371 lbs

## TOP VIEW



## GAS POWERED

Natural Source Propane

5"WC Pressure 10"WC

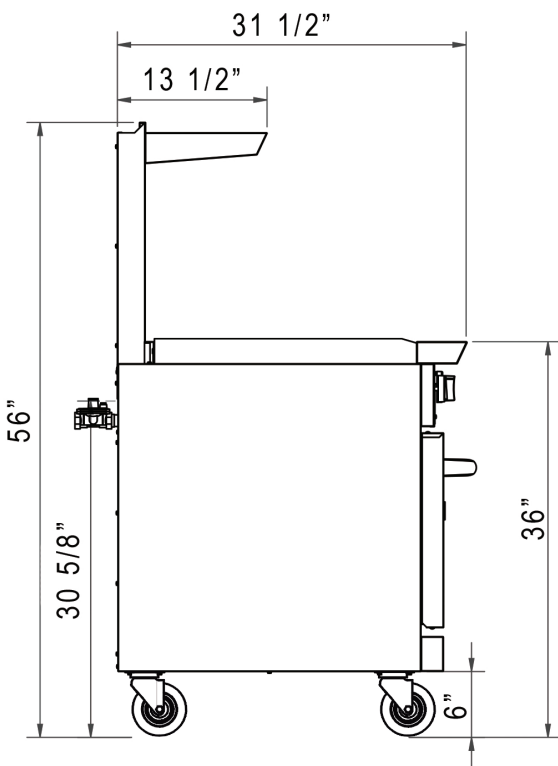
40# Nozzle (OVEN) 52#

43# Nozzle (GRIDDLE) 53#

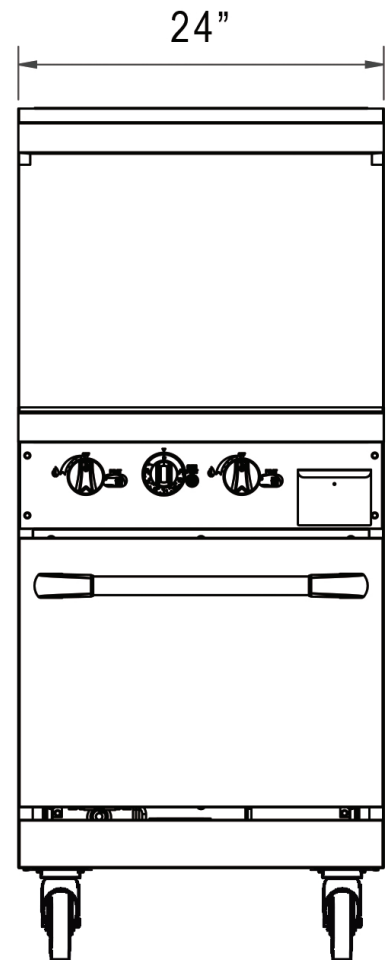
3/4" NPT Connection 3/4" NPT

if to be used above 2000 ft, specify altitude and gas type when ordering

## SIDE VIEW



## FRONT VIEW



### ASSEMBLY/SUPPORT



### MORE PRODUCTS



## SAFETY

Keep combustibles a minimum of 17" away from the equipment. Keep a clearance of 4" at the rear.

 We're on social media! 