



BRIKA

BSP-18D

RV1

ROBUST DESIGN
HIGH QUALITY STAINLESS STEEL

STOCK POT DOUBLE 18"



Heavy duty cast iron top grates.

Three-ring burner, rated at a total of 80,000 BTU/H.

Each burner is equipped with two continuous pilots.

Two manual controls/burner to operate the inner and outer rings independently

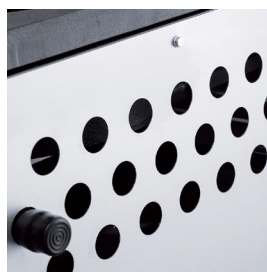
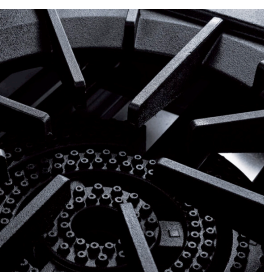
Full-length seamless drip pan for easy cleanup.

Stainless steel sides & front valve cover.

Stainless steel tubing for pilots and pilot tips per burner ring.

Stainless steel legs standard.

NG/LPG Conversion Kit included.



Dimensions (wxdxh) 18" x 41" x 22^{4/5}"

Cooking Area (wxd) 18" x 41"

Burners 4 x 40,000 BTU/H (total 160K)

BSP-18D

DELIVERY

Box dimensions (w×d×h)

21^{1/8}" x 55^{1/2}" x 24"

Weight

net: 224 lbs

ship: 310 lbs

GAS POWERED

Natural **Source** Propane

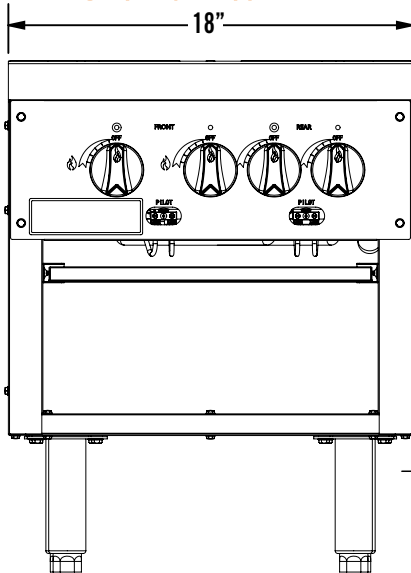
5"WC **Pressure** 10"WC

32# **Nozzle** 48#

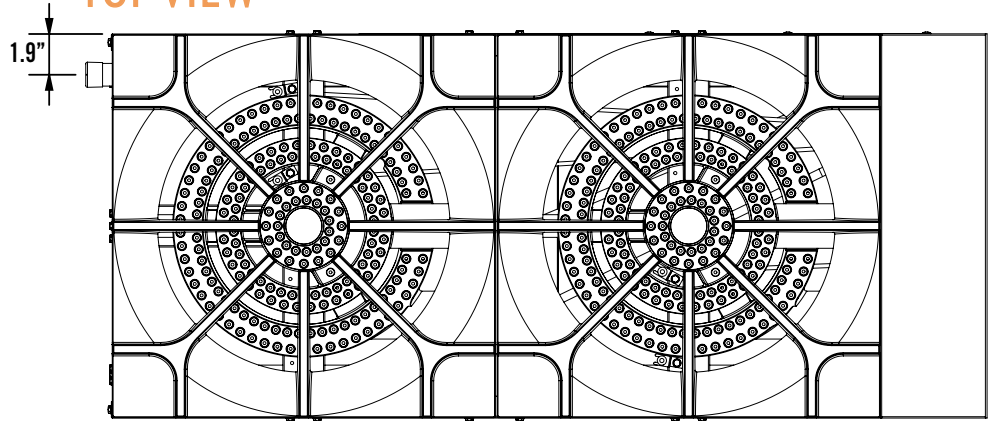
3/4" NPT **Connection** 3/4" NPT

if to be used above 2000 ft, specify altitude and gas type when ordering

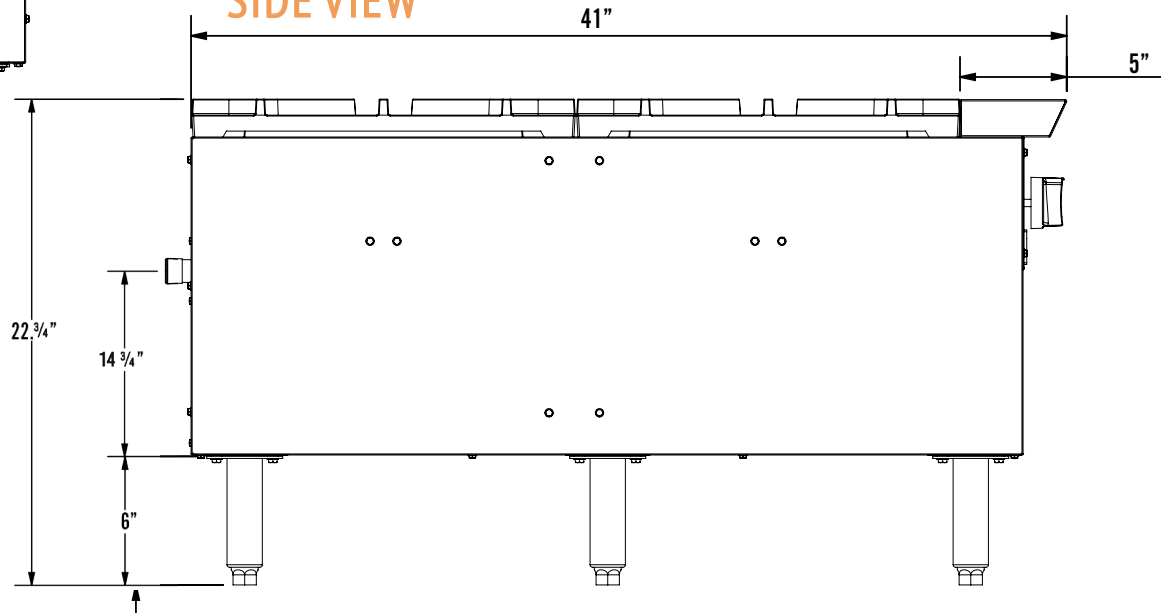
FRONT VIEW



TOP VIEW



SIDE VIEW



ASSEMBLY/SUPPORT



MORE PRODUCTS



SAFETY

Keep combustibles a minimum of 17" away from the equipment. Keep a clearance of 4" at the rear.

 We're on social media! 