

**B-R15T-CE5****ROBUST DESIGN  
HIGH QUALITY STAINLESS STEEL**

# ELECTRIC COMBI OVEN ROTORBAKE 15 CLASSIC



Automatic preheating & delayed start programming

Multi-timer function for multiple & mixed cooking

Fan inversion, speed control and motor break

5 Fan speeds and semi-static cooking

Temperature up to 270°C / 520°F

Pre-loaded & online cookbook + USB

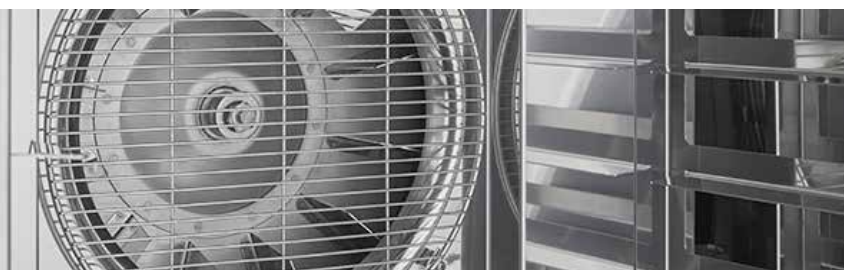
Custom preset programs mode

5 Cooking modes

Accommodates 18" x 26" bunpans

BakeDRY automatic chimney opening

BakeSTEAM steam control in percentages



**Dimensions (wxdxh)** 45<sup>1/4</sup>" x 68<sup>1/8</sup>" x 91<sup>3/8</sup>"

**Oven interior (wxd)** 18" x 26"

**Rack Guides** 15

# B-R15T-CE5

## DELIVERY

### Box dimensions (w×d×h)

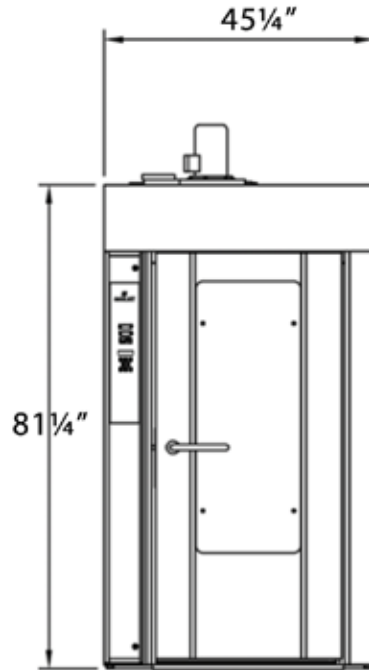
50" x 65" x 90<sup>1</sup>/<sub>2</sub>"

### Weight

net: 1356 lbs

ship: 1510 lbs

## FRONT VIEW



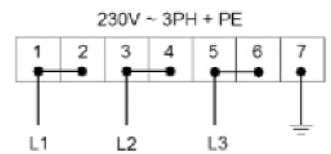
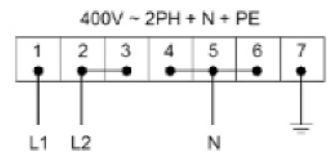
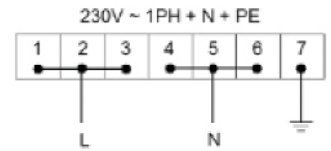
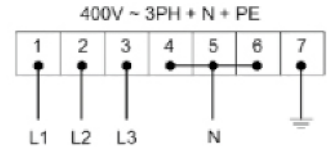
## Power 30 KW

208V / 1PH - 39 AMP

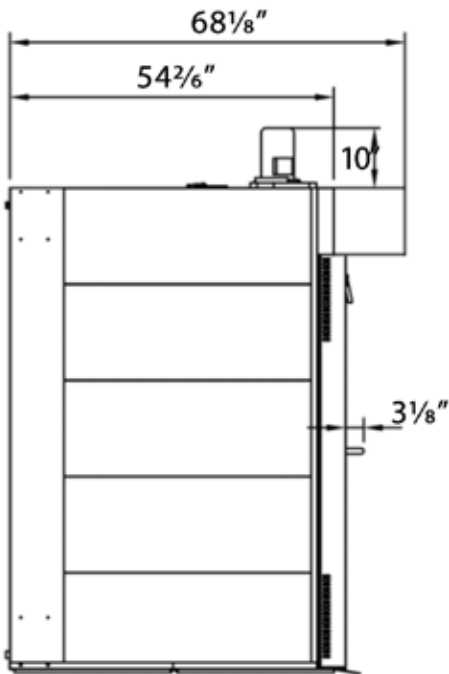
208V / 3PH - 37.5 AMP

240V / 1PH - 68.1 AMP

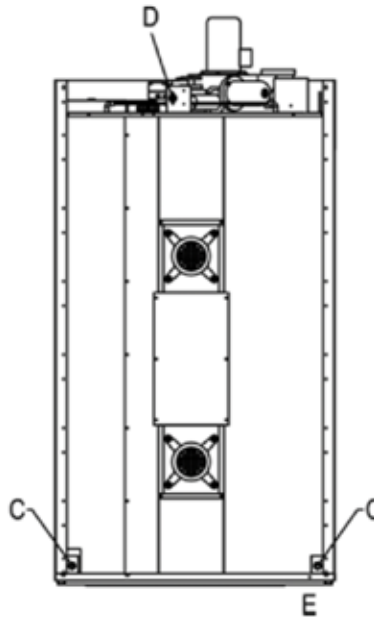
240V / 3PH - 39.3 AMP



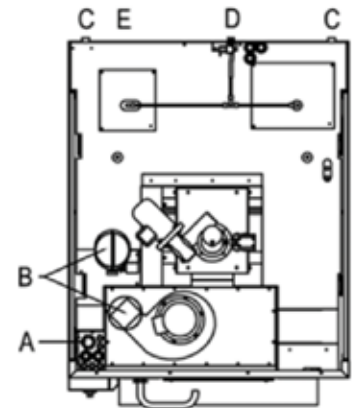
## SIDE VIEW



## BACK VIEW



## TOP VIEW



### ASSEMBLY/SUPPORT



### MORE PRODUCTS



## SAFETY

Keep combustibles a minimum of 12" away from the equipment. Keep a clearance of 4" at the rear.

We're on social media!

1.800.567.3620 | WWW.BRIKAEQUIPMENT.CA