



# BRIKA

## B-S4T

ROBUST DESIGN  
HIGH QUALITY STAINLESS STEEL

# ELECTRIC OVEN SNACK 4T



- 3 Cooking Modes (Convection, Steam, Combination)
- Manual Cooking Option
- Automatic dry/steam control
- Double low emmision glass
- Rounded baking chamber
- Manual steam injection
- Automatic preheating
- High performance thermal insulation
- Modular stackable design



**BakeAIR**  
Multi-fan system

**BakeSTEAM**  
Steam control in percentages

# B-S4T

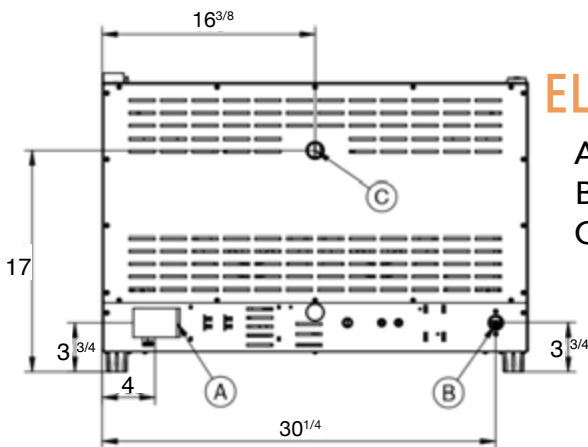
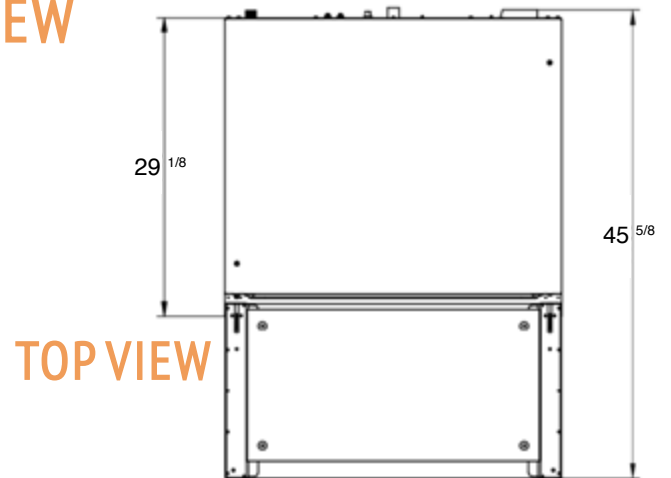
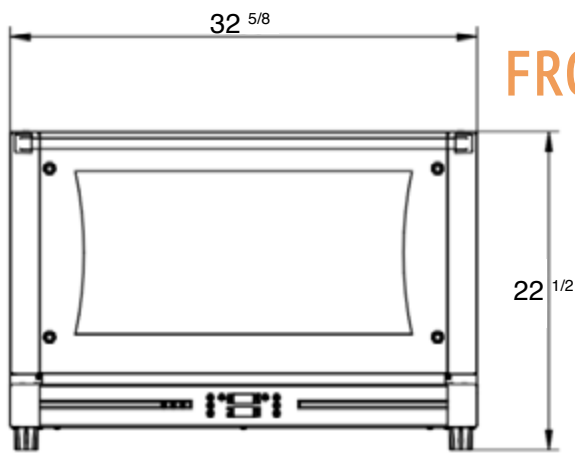
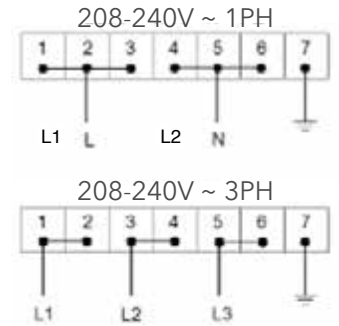
<b>Dimensions [w×d×h]</b>	32 <sup>5/8</sup> " x 32 <sup>5/8</sup> " x 22 <sup>1/2</sup> "
<b>Oven interior [w×d×h]</b>	20 <sup>7/8</sup> " x 28" x 15 <sup>7/8</sup> "
<b>Rack Guides</b>	4
<b>Max Temp</b>	270°C / 520°F
<b>Weight</b>	NET: 123lbs BOITE: 146lbs
<b>Package [w×d×h]</b>	35 <sup>1/2</sup> " x 35 <sup>1/2</sup> " x 28 <sup>3/8</sup> "

## POWER SUPPLY

**Power** 8 KW

### Voltage

208V / 1PH	- 32.6 AMP
208V / 3PH	- 18.8 AMP
240V / 1PH	- 34.2 AMP
240V / 3PH	- 19.7 AMP



- A Electric supply
- B Water inlet 3/4"
- C Steam exhaust 1<sup>1/8</sup>"

