

B-R10T-VE2ROBUST DESIGN
HIGH QUALITY STAINLESS STEEL**ELECTRIC COMBI OVEN
ROTORBAKE 10 VISION**

Automatic preheating & delayed start programming

Multi-timer function for multiple & mixed cooking

Fan inversion, speed control and motor break

5 Fan speeds and semi-static cooking

Temperature up to 270°C / 520°F

Pre-loaded & online cookbook + USB

Custom preset programs mode

5 Cooking modes

Accommodates 18" x 26" bunpans

BakeDRY automatic chimney opening

BakeSTEAM steam control in percentages



Dimensions (wxdxh) 45^{1/4}" x 47^{1/4}" x 51^{5/8}"

Rack Guides 10

B-R10T-VE2

DELIVERY

Box dimensions (w×d×h)

48⁷/₈" x 55¹/₈" x 59⁷/₈"

Weight

net: 584 lbs

ship: 672 lbs

Power 16 KW

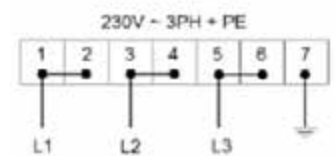
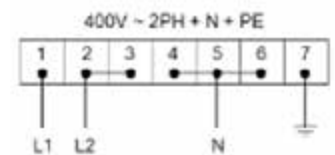
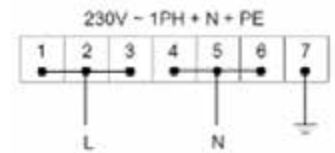
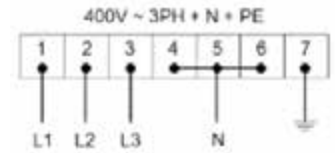
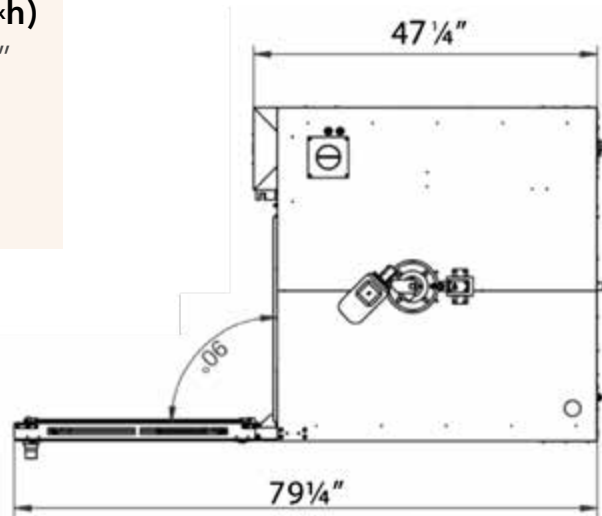
208V / 1PH - 39 AMP

208V / 3PH - 37.5 AMP

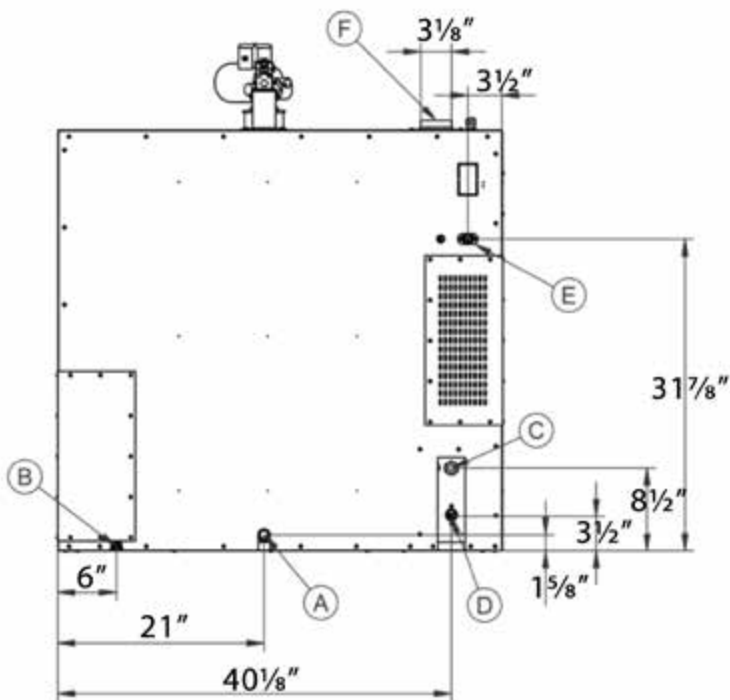
240V / 1PH - 68.1 AMP

240V / 3PH - 39.3 AMP

TOP VIEW



BACK VIEW



FRONT VIEW



ASSEMBLY/SUPPORT



MORE PRODUCTS



SAFETY

Keep combustibles a minimum of 12" away from the equipment. Keep a clearance of 4" at the rear.

We're on social media!

1.800.567.3620 | WWW.BRIKAEQUIPMENT.CA