

BCOS-1-NG**ROBUST DESIGN
HIGH QUALITY STAINLESS STEEL**

CONVECTION OVEN



Elegant stainless steel exterior for easy cleaning

Durable double-pane glass with independent doors

Electronic spark ignition with an automatic pilot system with safety shut off

Oven temperature range between 175°F to 500°F

Includes ten adjustable shelves

Two speed-fan with adjustable cool down mode



Dimensions (wxdxh) 38" x 39^{3/4}" x 61^{3/4}"

Burners 3 x 18,000 BTU/H (total 54K)

BCOS-1-NG

DELIVERY

Box dimensions (w×d×h)

42^{7/10}" x 45^{3/5}" x 44"

Weight

net: 195 lbs

ship: 285 lbs

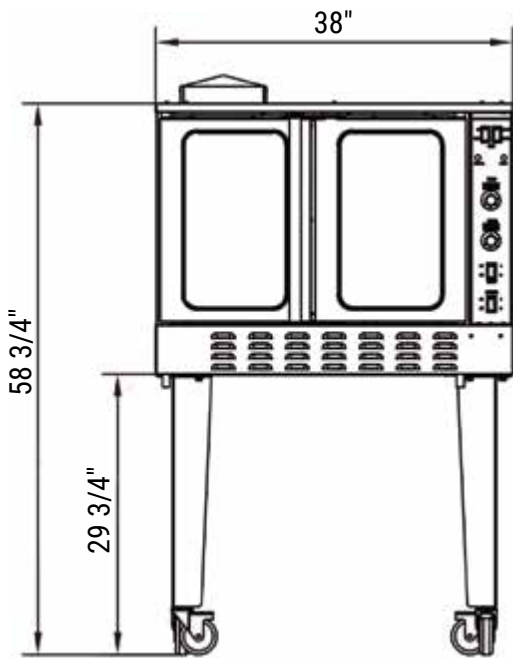
GAS POWERED

Natural	Source	Propane
4"WC	Pressure	10"WC
45#	Nozzle	55#

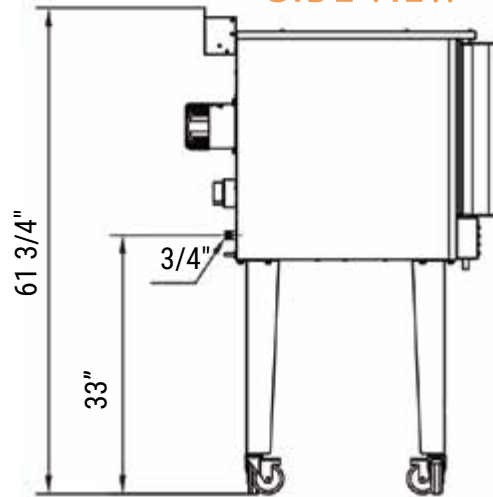
3/4" NPT **Connection** 3/4" NPT

if to be used above 2000 ft, specify altitude and gas type when ordering

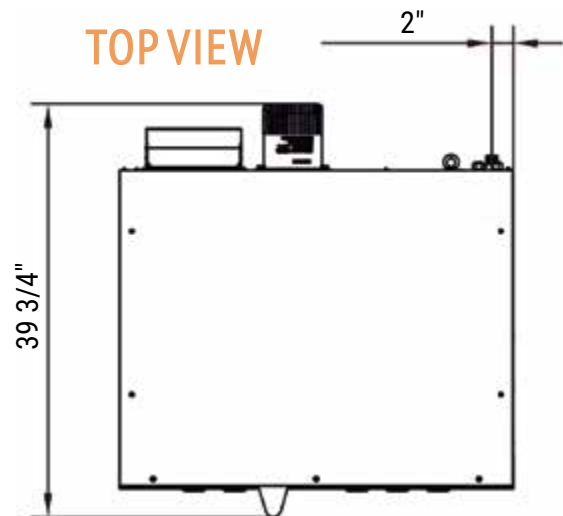
FRONT VIEW



SIDE VIEW



TOP VIEW



ASSEMBLY/SUPPORT



MORE PRODUCTS



SAFETY

Keep combustibles a minimum of 17" away from the equipment. Keep a clearance of 4" at the rear.

 We're on social media! 