

**BRB-36****ROBUST DESIGN  
HIGH QUALITY STAINLESS STEEL****RADIANT BROILER  
36 INCHES**

- 35,000 BTU burners per 12" section
- "Cool-to-the-touch" front stainless steel edge
- Independent manual controls every 12"
- Stainless Steel Standing pilot for instant ignition
- Stainless steel exterior and interior
- Easy to remove full-width crumb tray
- Adjustable, stainless steel legs

**Dimensions (wxdxh)** 36" x 28<sup>3/4</sup>" x 15<sup>3/8</sup>"**Cooking Area (wxd)** 36" x 19<sup>3/4</sup>"**Burners** 3 x 35,000 BTU/H (total 105K)

# BRB-36

## DELIVERY

**Box dimensions (w×d×h)**

38<sup>1/4"</sup> × 32<sup>5/8"</sup> × 20<sup>1/2"</sup>

**Weight**

**net:** 181 lbs

**ship:** 212 lbs

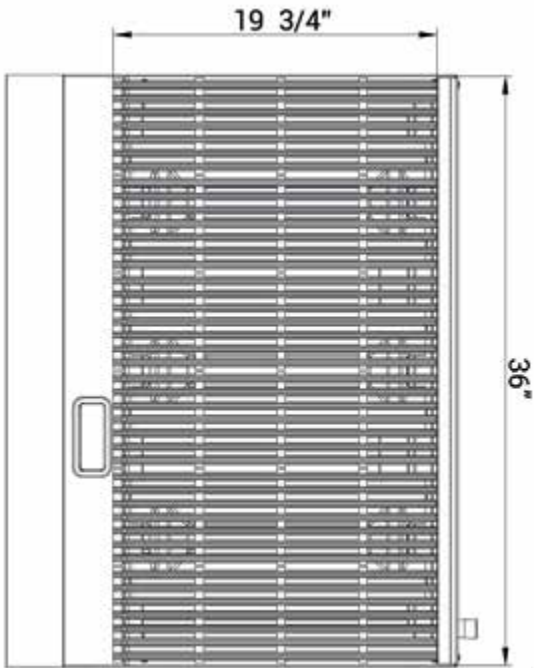
## GAS POWERED

Natural	<b>Source</b>	Propane
4"WC	<b>Pressure</b>	10"WC
34#	<b>Nozzle</b>	49#

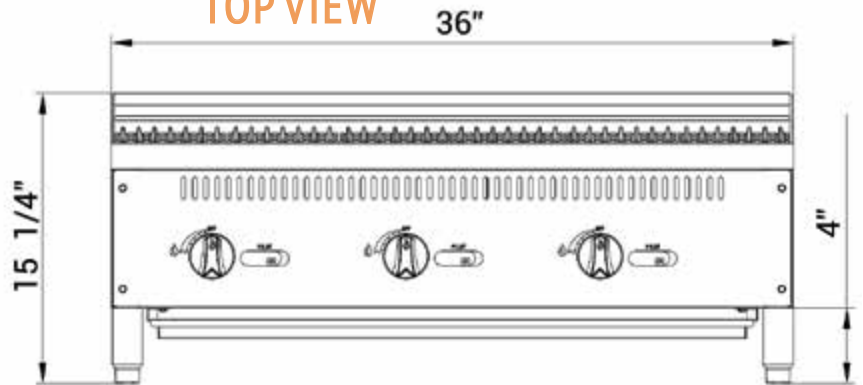
3/4" NPT **Connection** 3/4" NPT

if to be used above 2000 ft, specify altitude and gas type when ordering

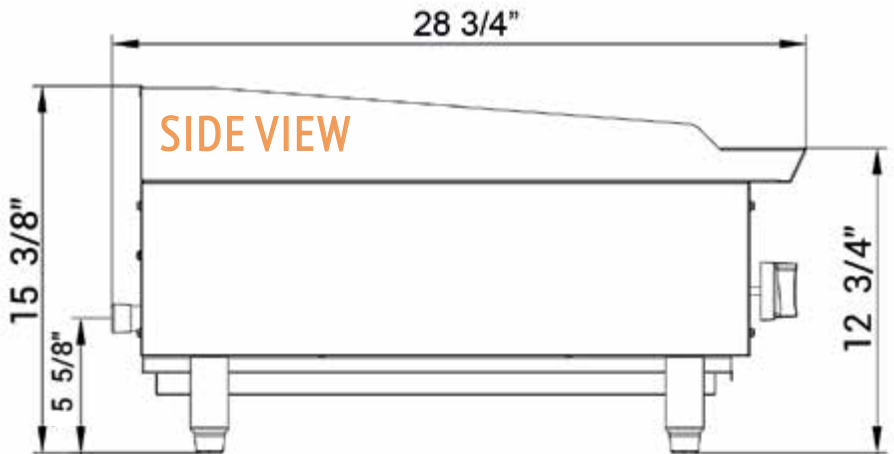
**FRONT VIEW**



**TOP VIEW**



**SIDE VIEW**



ASSEMBLY/SUPPORT



MORE PRODUCTS



## SAFETY

Keep combustibles a minimum of 17" away from the equipment. Keep a clearance of 4" at the rear.

 **We're on social media!** 